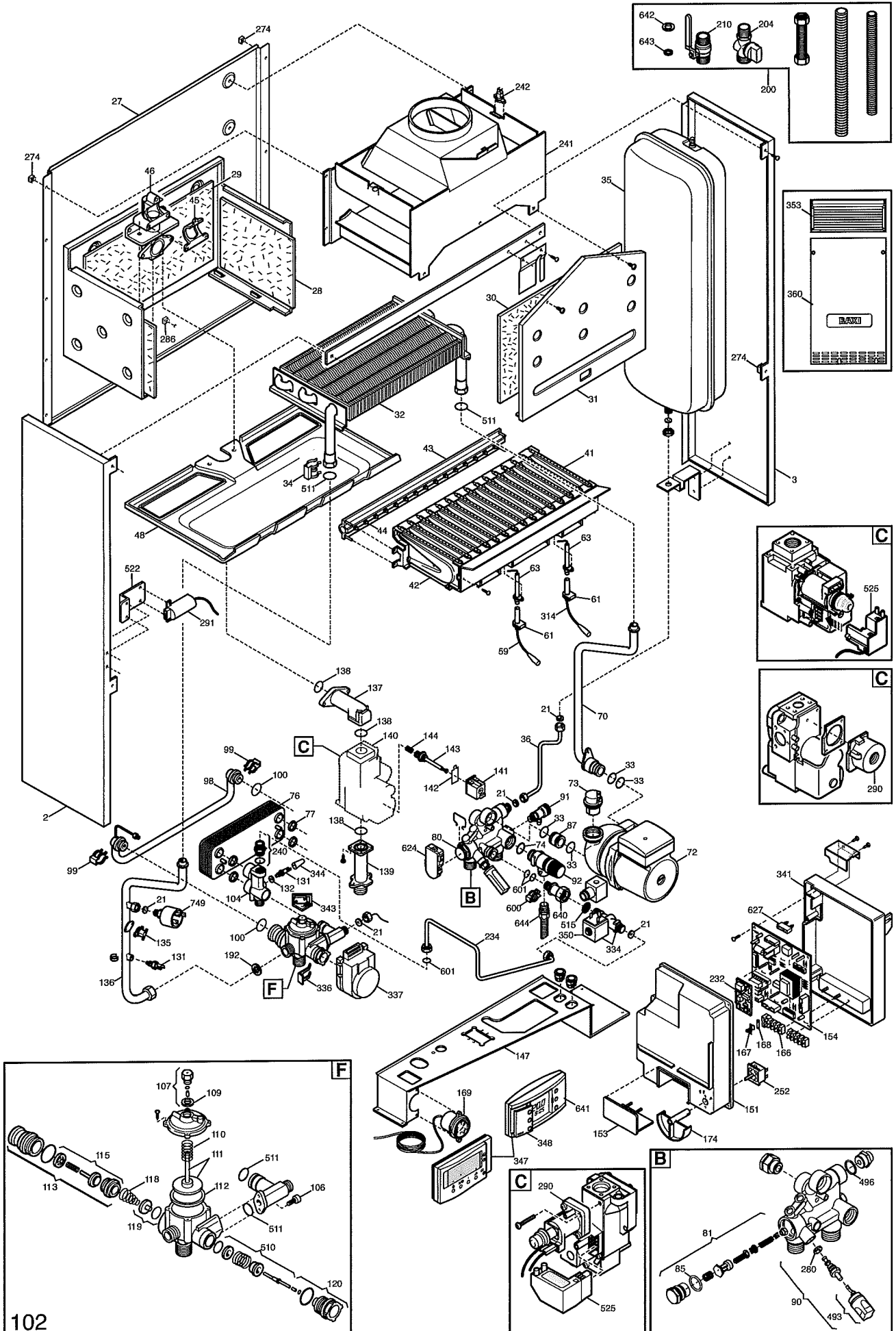


*CATALOGO
RICAMBI*

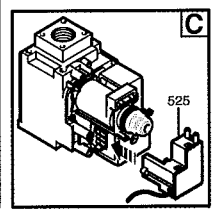
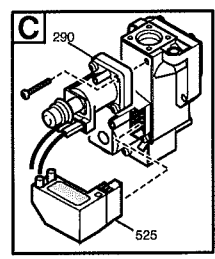
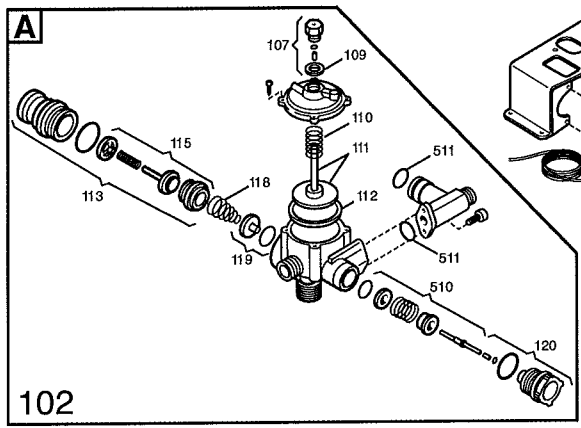
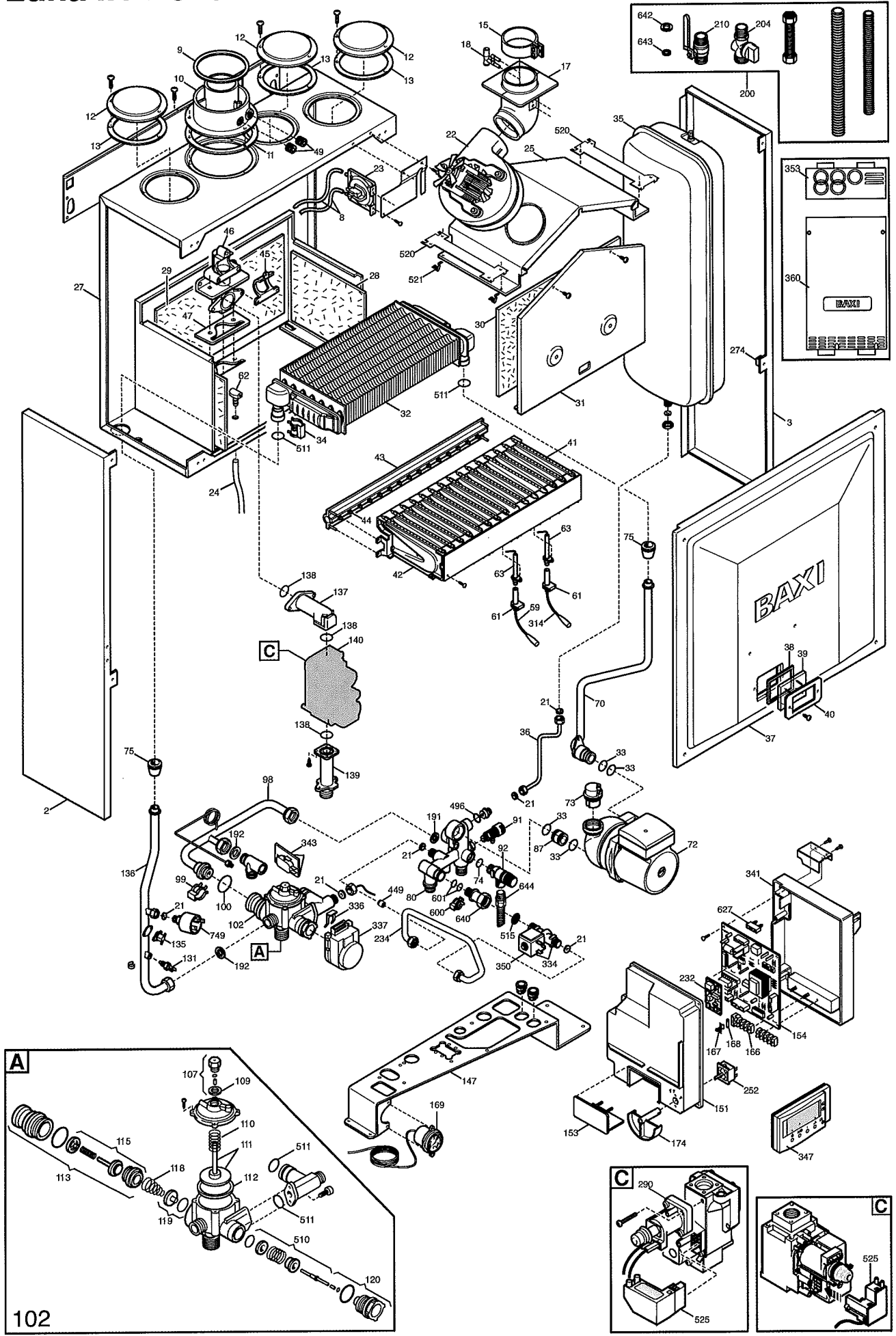
PA

Caldaie gamma LUNA IN 2000

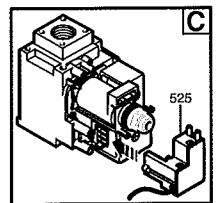
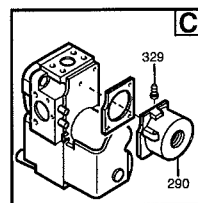
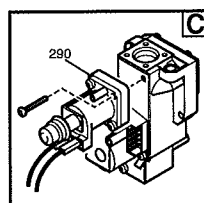
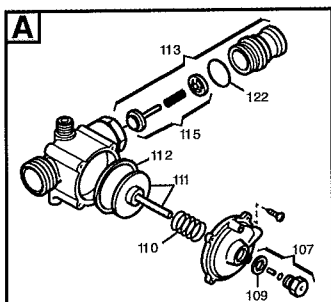
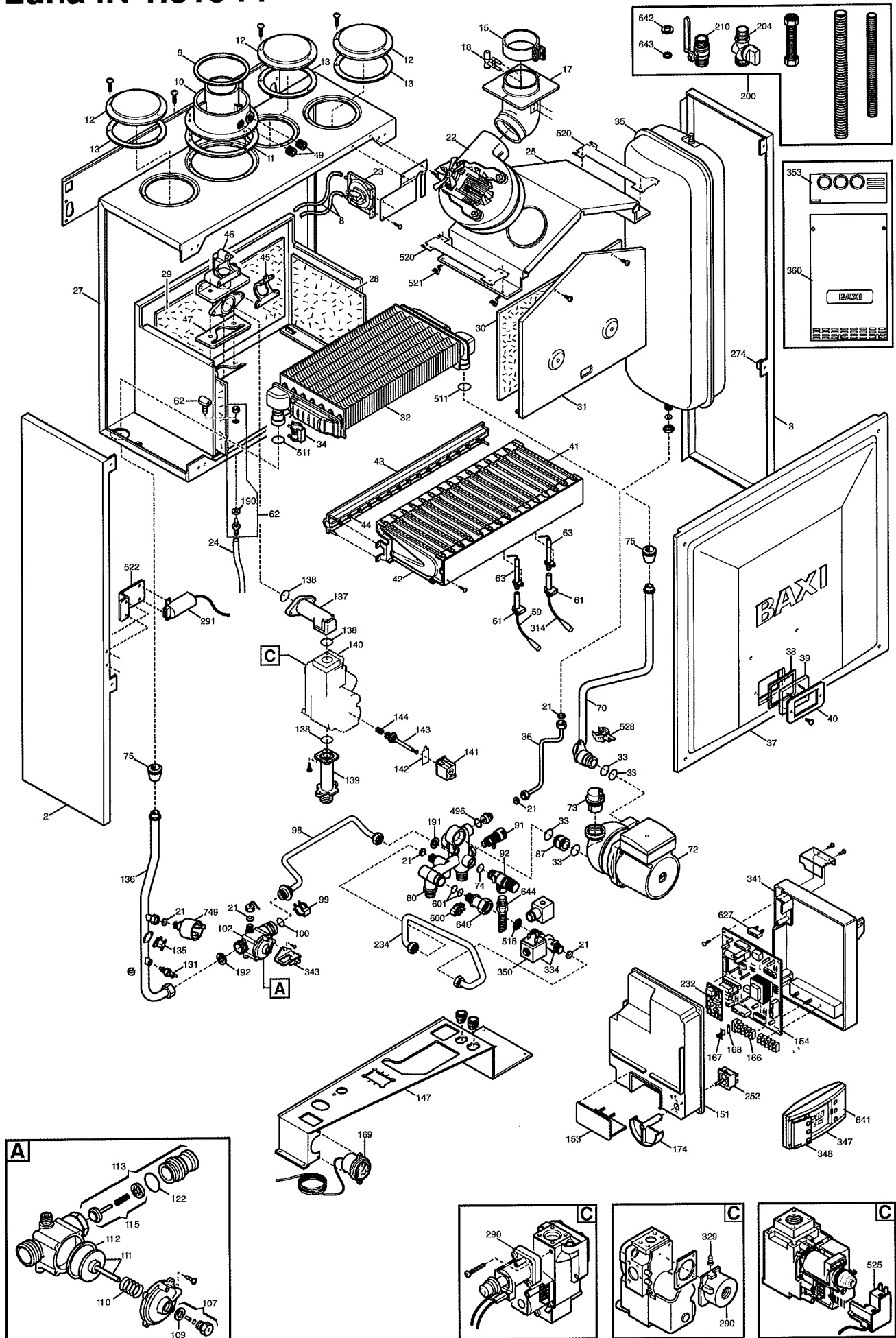
Luna IN 240 i



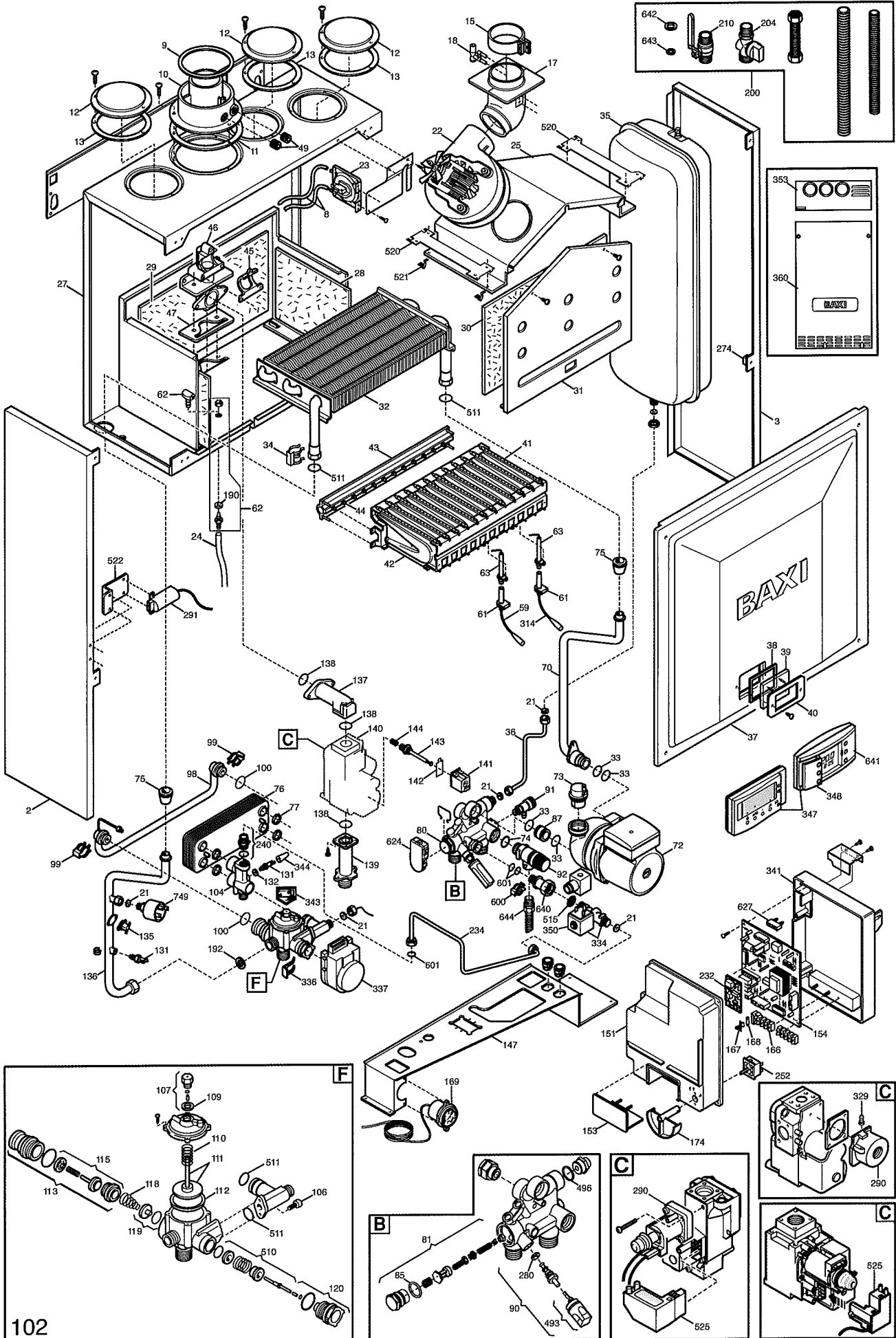
Luna IN 1.310 Fi MV



Luna IN 1.310 Fi



Luna IN 240 Fi



Luna IN 310 Fi

