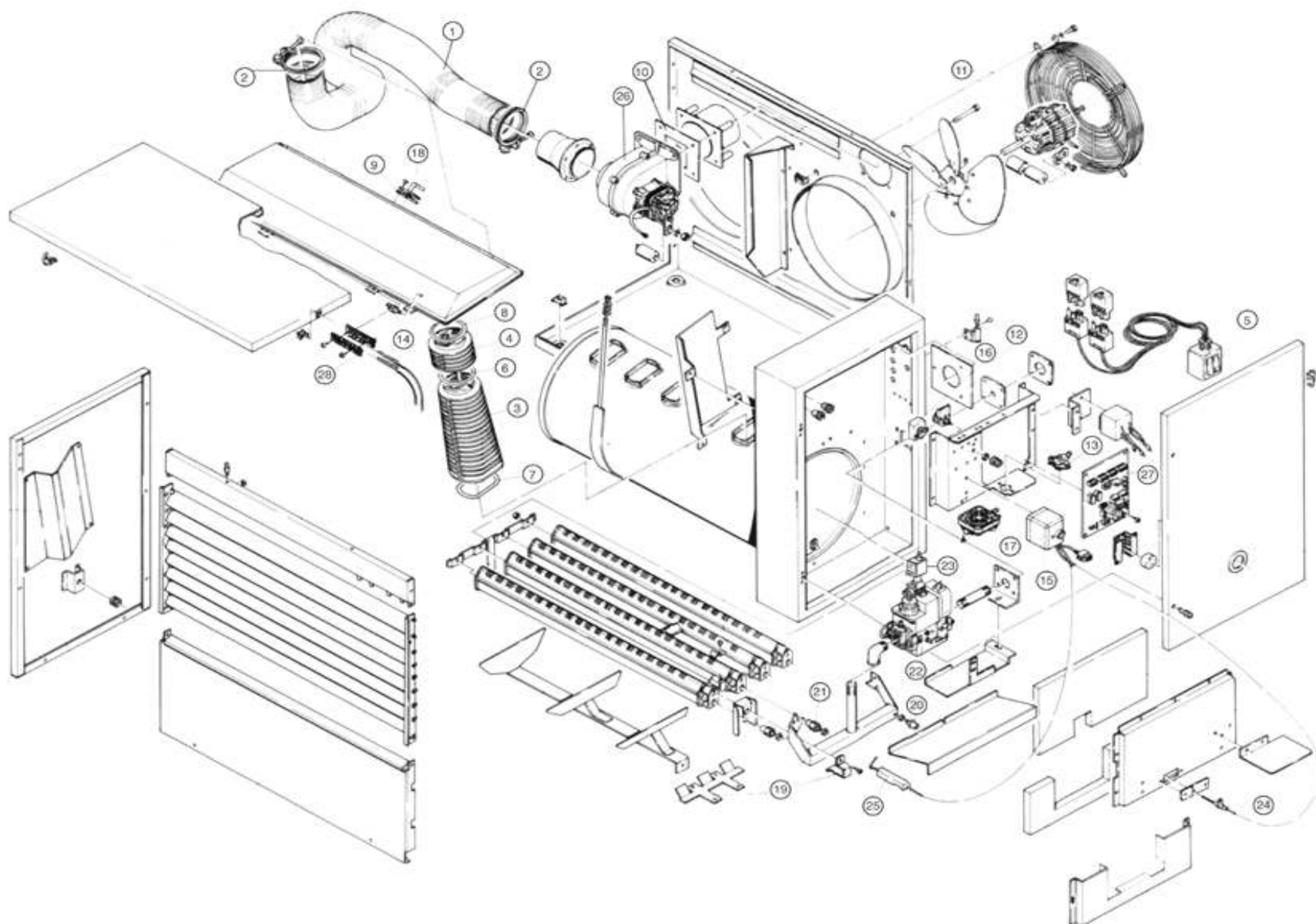


CODICE **D-LSR053**
REV. **C**
MOD. **11 MCM SVI 144** AGGIORNAMENTO LISTINO
DATA **01/07/2011**

SERIE GR1 II

D-SPL760

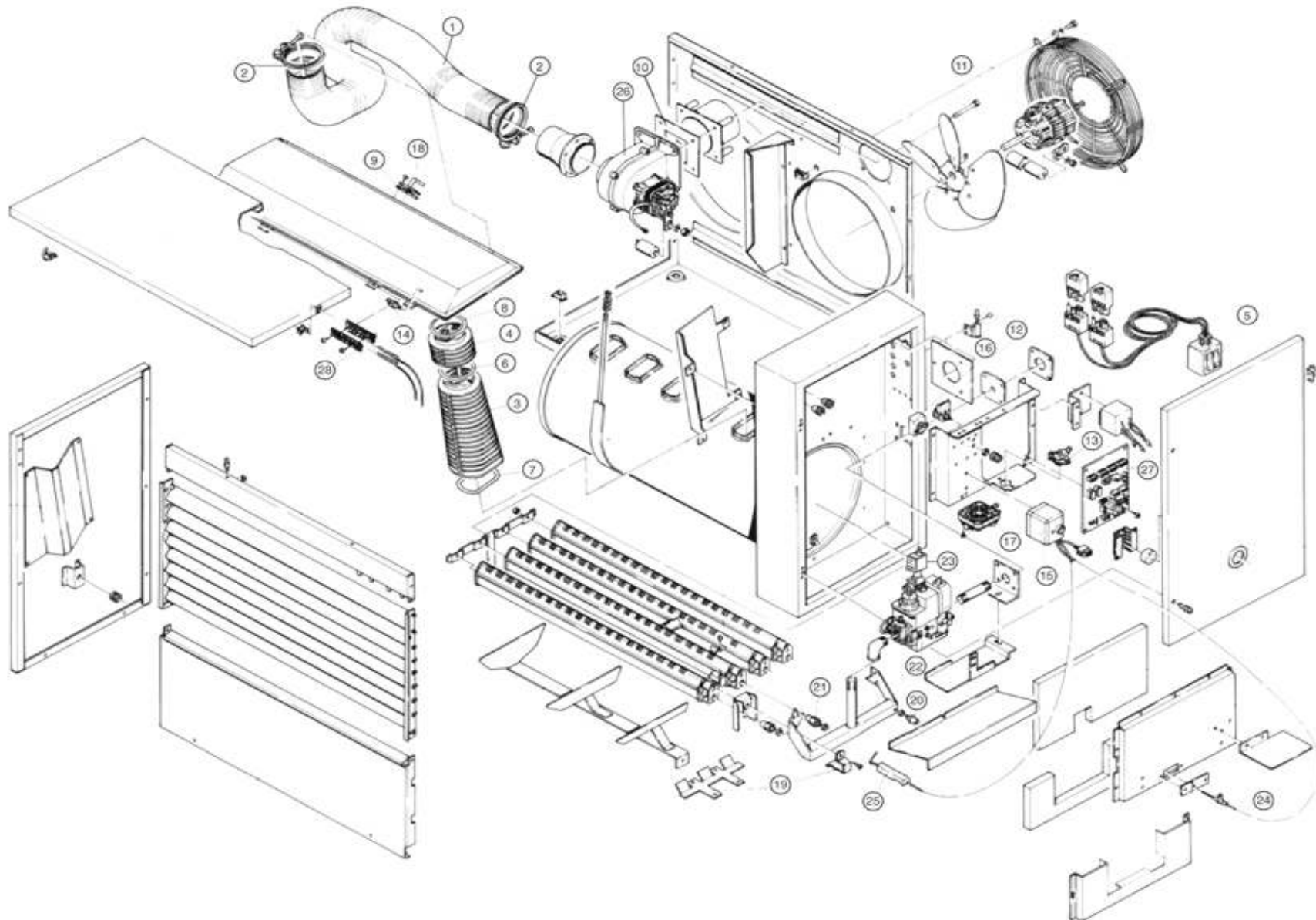


SERIE GR1 II

POS	CODICE	RICAMBIO	DESCRIZIONE	MATRICOLA INIZIALE	MATRICOLA FINALE	LISTINO [€]
1	F-11452110	N.D.	GR1 II E 20 MET ITA (ETIC)	999999999	999999999	

SERIE GR1 II - GR1 II 20

D-SPL721

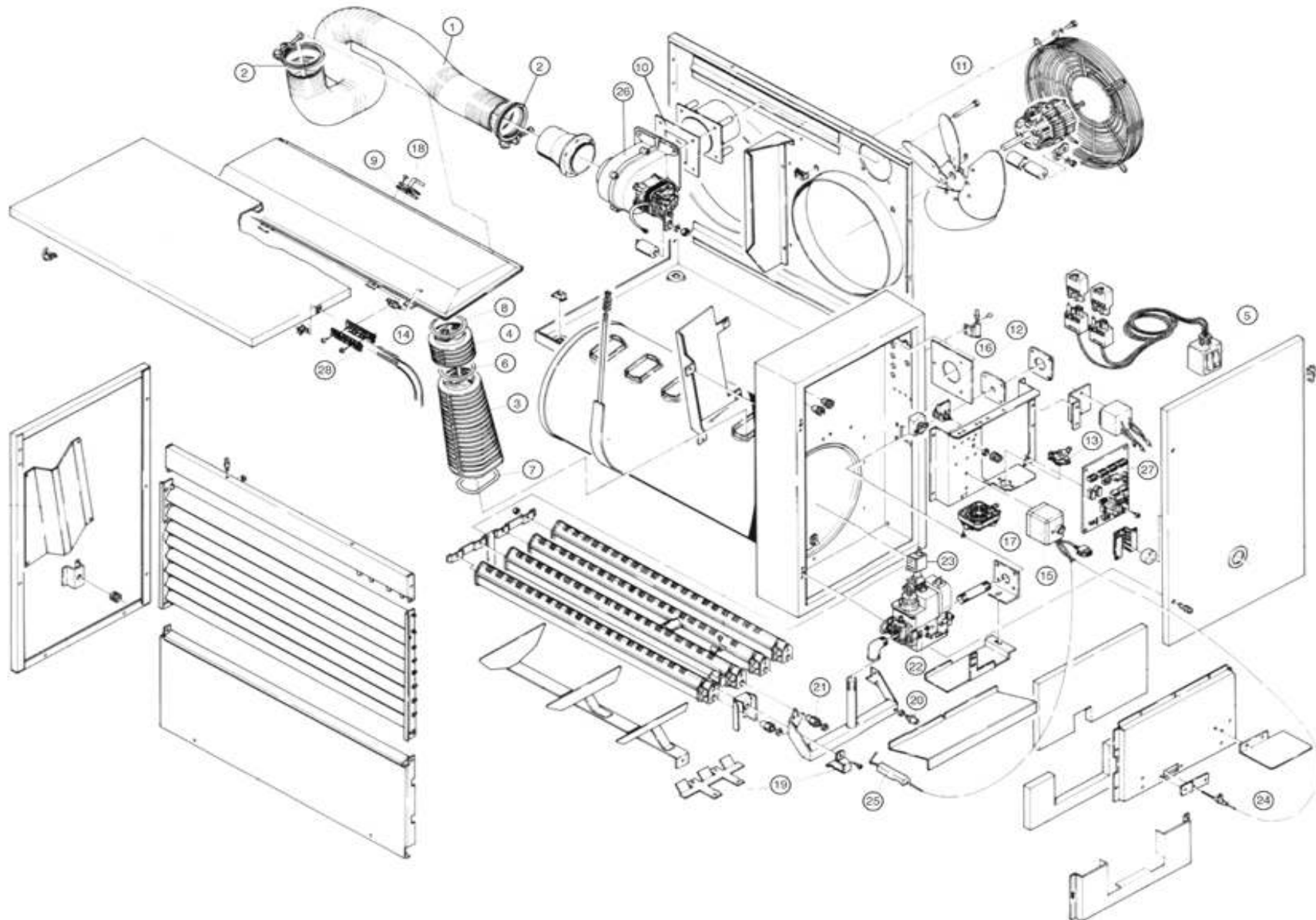


SERIE GR1 II - GR1 II 20

POS	CODICE	RICAMBIO	DESCRIZIONE	MATRICOLA INIZIALE	MATRICOLA FINALE	LISTINO [€]
1	R-12478750	J-12478750	KR TUBO FUMI L. 1950 M50,M60,F60,F80	999999999	999999999	37,20
2	N-12913011	J-12913011	KR FASCETTA STRINGITUBO D.90 mm	999999999	999999999	6,75
2	N-12913011	J-12913011	KR FASCETTA STRINGITUBO D.90 mm	999999999	999999999	6,75
3	S-12470570	J-12470570	KR SCAMBIATORE CALORE LG.300 C/BASE	999999999	999999999	63,90
4	S-12411270	J-12411270	KR INSERTO PROLUNGA SCAMBIATORE GR	999999999	999999999	13,25
5	E-CDS005	J-CDS005	KR COMANDO REMOTO BASE F, F1, MXT	999999999	999999999	43,60
6	C-12900006	J-12900006	KR GUARNIZIONE TESTA SCAMBIATORE F	999999999	999999999	2,95
7	C-12900010	J-12900010	KR GUARNIZ. BASE SCAMBIATORE F1,M,K	999999999	999999999	2,95
8	C-12900068	J-12900068	KR GUARNIZ.SUPER.SCAMBIATORE F1,M,K	999999999	999999999	1,80
9	C-12900020	J-12900020	KR GUARNIZIONE SONDA PRESSOSTATO	999999999	999999999	1,70
10	C-12900022	J-12900022	KR GUARNIZIONE ASPIRATORE STAGNO	999999999	999999999	2,95
11	K-VNT033	J-VNT033	KR VENTILATORE M20, F20	999999999	999999999	151,00
12	E-12301029	J-12301029	KR TERMOSTATO LIMITE RANCO T.100^	999999999	999999999	14,00
13	E-12301020	J-12301020	KR TERMOSTATO DI SICUREZZA 100^C	999999999	999999999	6,75
14	E-12301017	J-12301017	KR TERMOSTATO FAN 90^ OFF-70^ ON	999999999	999999999	5,60
15	E-12303032	J-12303032	KR CENTRALINA BRAHMA CM 191	999999999	999999999	94,00
17	G-12200350	J-12200350	KR PRESSOSTATO ARIA 0,8 mbar	999999999	999999999	78,40
18	R-12460820	J-12460820	KR SONDA PRESSOSTATO SERIE M	999999999	999999999	11,55
19	K-CTB125	J-CTB125	KR BRUCIATORE M20	999999999	999999999	83,00
20	B-12860001	J-12860001	KR PRESA PRESSIONE 6MA	999999999	999999999	3,05
21	B-12860280	J-12860280	KR UGELLO D. 2,80	999999999	999999999	2,95
21	B-12861618	J-12861618	KR UGELLO D. 1,60/1,80	999999999	999999999	2,95
22	G-12200750	J-12200750	KR VALVOLA HONEYW. VR 4705	999999999	999999999	304,00
24	E-LTT003	J-LTT003	KR ELETTR.RILEVAZIONE C/CAVO L=1000	999999999	999999999	8,75
25	E-LTT013	J-LTT013	KR ELETTRODO ACCENSIONE GR1	999999999	999999999	14,50
26	K-SPR039	J-SPR039	KR ASPIRATORE M20, M30, M35	999999999	999999999	98,70
27	E-SLT008	J-SCD000A	KR SCHEDA F DA S2 A S30	999999999	999999999	90,80
28	L-12420340	N.D.	GABBIA PORTA TERMOSTATI	999999999	999999999	

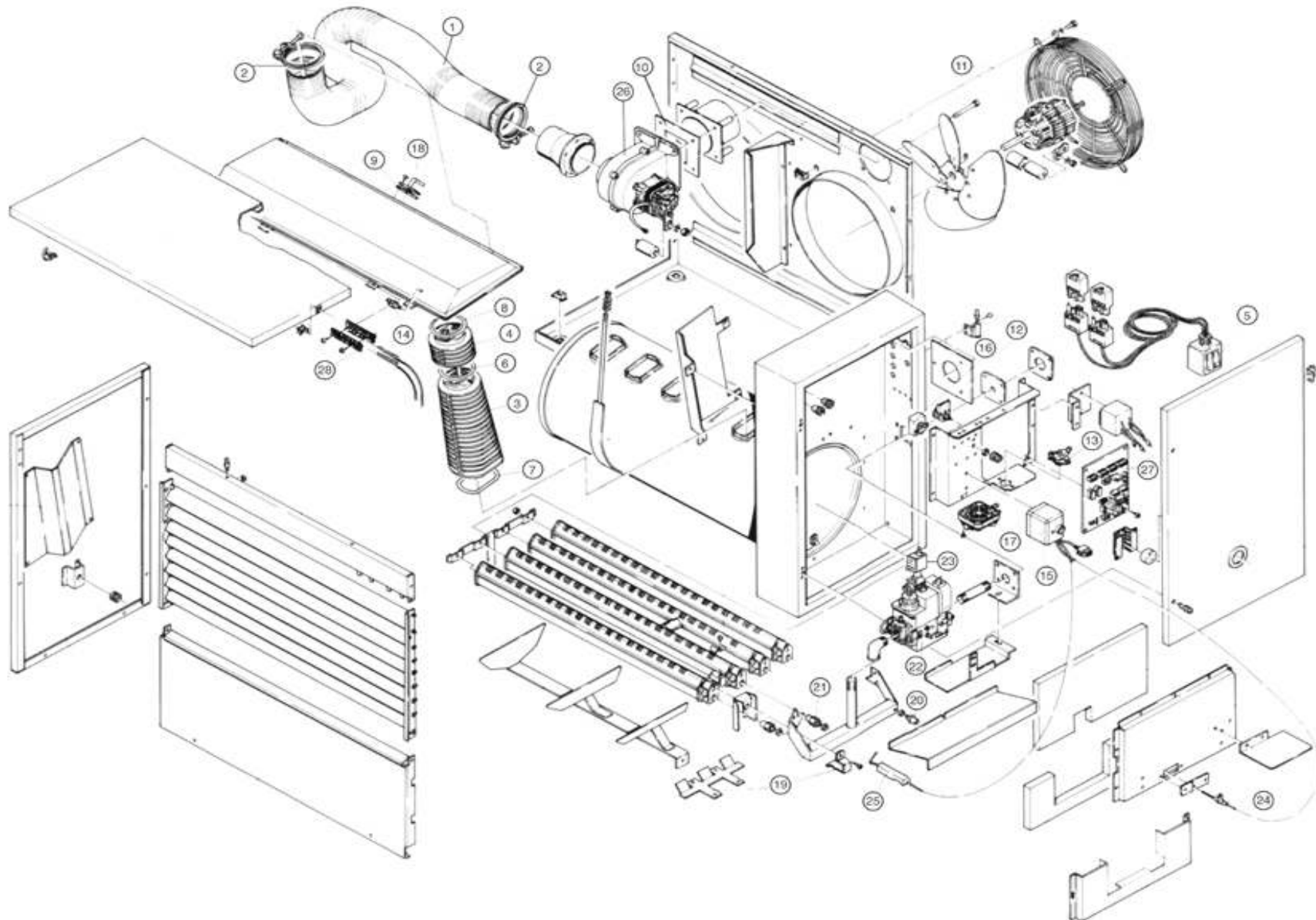
SERIE GR1 II - GR1 II 20 - 2V

D-SPL722



SERIE GR1 II - GR1 II 20 - 2V

POS	CODICE	RICAMBIO	DESCRIZIONE	MATRICOLA INIZIALE	MATRICOLA FINALE	LISTINO [€]
1	R-12478750	J-12478750	KR TUBO FUMI L. 1950 M50,M60,F60,F80	999999999	999999999	37,20
2	N-12913011	J-12913011	KR FASCETTA STRINGITUBO D.90 mm	999999999	999999999	6,75
2	N-12913011	J-12913011	KR FASCETTA STRINGITUBO D.90 mm	999999999	999999999	6,75
3	S-12470570	J-12470570	KR SCAMBIATORE CALORE LG.300 C/BASE	999999999	999999999	63,90
4	S-12411270	J-12411270	KR INSERTO PROLUNGA SCAMBIATORE GR	999999999	999999999	13,25
5	E-CDS004	J-CDS004	KR COMANDO REMOTO 2 VEL GR1 II,M	999999999	999999999	63,90
6	C-12900006	J-12900006	KR GUARNIZIONE TESTA SCAMBIATORE F	999999999	999999999	2,95
7	C-12900010	J-12900010	KR GUARNIZ. BASE SCAMBIATORE F1,M,K	999999999	999999999	2,95
8	C-12900068	J-12900068	KR GUARNIZ.SUPER.SCAMBIATORE F1,M,K	999999999	999999999	1,80
9	C-12900020	J-12900020	KR GUARNIZIONE SONDA PRESSOSTATO	999999999	999999999	1,70
10	C-12900022	J-12900022	KR GUARNIZIONE ASPIRATORE STAGNO	999999999	999999999	2,95
11	K-VNT038	J-VNT038	KR VENTILATORE COMPLETO M20 2VEL	999999999	999999999	160,40
12	E-12301029	J-12301029	KR TERMOSTATO LIMITE RANCO T.100^	999999999	999999999	14,00
13	E-12301020	J-12301020	KR TERMOSTATO DI SICUREZZA 100^C	999999999	999999999	6,75
14	E-12301017	J-12301017	KR TERMOSTATO FAN 90^ OFF-70^ ON	999999999	999999999	5,60
15	E-CNT003	J-CNT003A	KR CENTRALINA BRAHMA SM 152	999999999	999999999	108,90
16	E-12301014	J-12301014	KR TERMOST. BULBO REGOLABILE 15-90°	999999999	999999999	15,65
17	G-12200350	J-12200350	KR PRESSOSTATO ARIA 0,8 mbar	999999999	999999999	78,40
18	R-12460820	J-12460820	KR SONDA PRESSOSTATO SERIE M	999999999	999999999	11,55
19	K-CTB125	J-CTB125	KR BRUCIATORE M20	999999999	999999999	83,00
20	B-12860001	J-12860001	KR PRESA PRESSIONE 6MA	999999999	999999999	3,05
21	B-12860280	J-12860280	KR UGELLO D. 2,80	999999999	999999999	2,95
21	B-12861618	J-12861618	KR UGELLO D. 1,60/1,80	999999999	999999999	2,95
22	G-VLV003	J-VLV003	KR VALVOLA SIT 822 NOVA	999999999	999999999	125,50
23	E-12303049	J-12303049	KR MODULATORE INECO MOD.20003 MD	999999999	999999999	25,20
24	E-LTT003	J-LTT003	KR ELETTR.RILEVAZIONE C/CAVO L=1000	999999999	999999999	8,75
25	E-LTT013	J-LTT013	KR ELETTRODO ACCENSIONE GR1	999999999	999999999	14,50
26	K-SPR039	J-SPR039	KR ASPIRATORE M20, M30, M35	999999999	999999999	98,70
27	E-12302048	J-12302048	KR SCHEDA INECO S4 X GR1 II	999999999	999999999	107,50
28	L-12420340	N.D.	GABBIA PORTA TERMOSTATI	999999999	999999999	

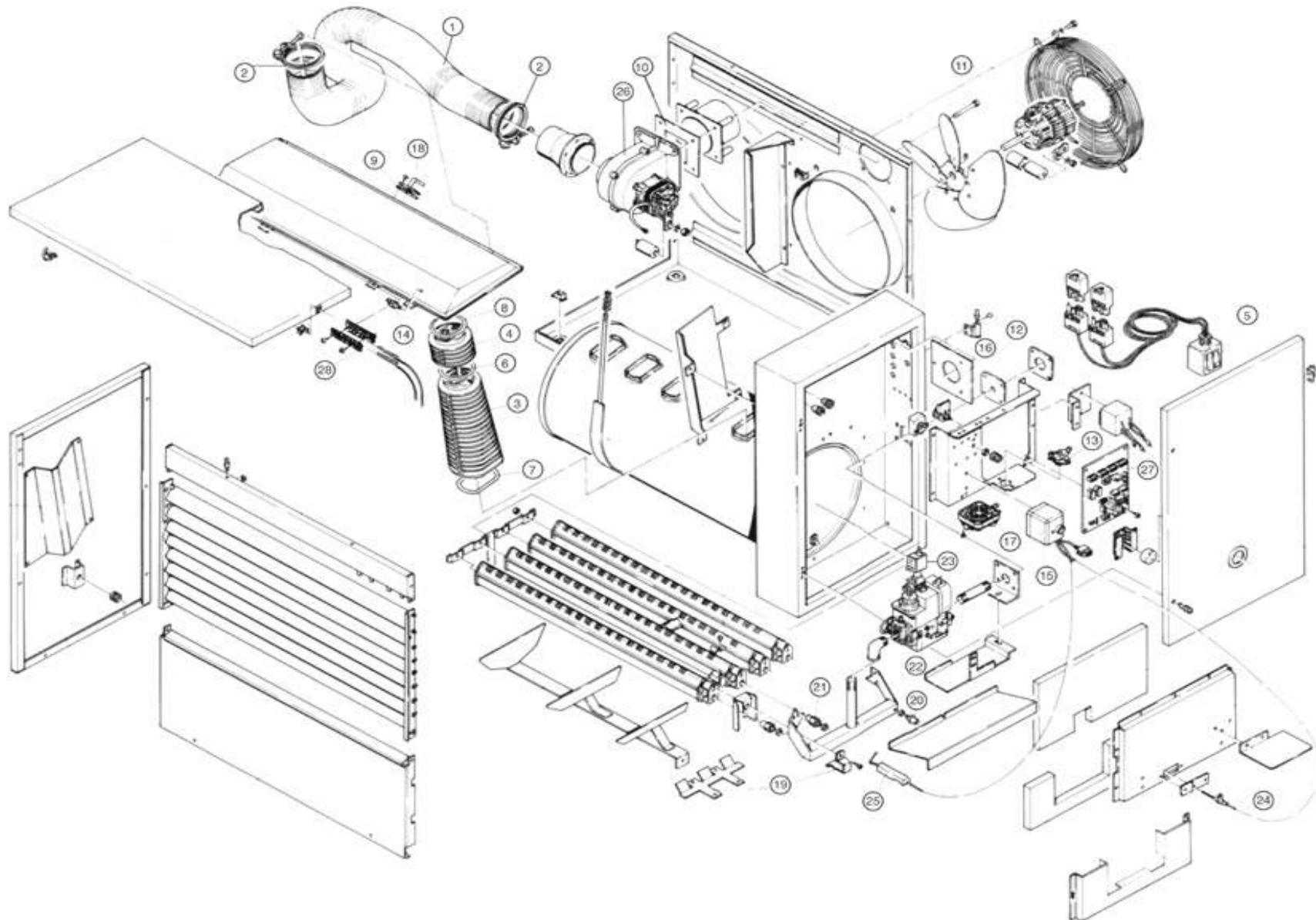


SERIE GR1 II - GR1 II 30

POS	CODICE	RICAMBIO	DESCRIZIONE	MATRICOLA INIZIALE	MATRICOLA FINALE	LISTINO [€]
1	R-12478750	J-12478750	KR TUBO FUMI L. 1950 M50,M60,F60,F80	999999999	999999999	37,20
2	N-12913011	J-12913011	KR FASCETTA STRINGITUBO D.90 mm	999999999	999999999	6,75
2	N-12913011	J-12913011	KR FASCETTA STRINGITUBO D.90 mm	999999999	999999999	6,75
3	S-12470570	J-12470570	KR SCAMBIATORE CALORE LG.300 C/BASE	999999999	999999999	63,90
4	S-12411270	J-12411270	KR INSERTO PROLUNGA SCAMBIATORE GR	999999999	999999999	13,25
5	E-CDS005	J-CDS005	KR COMANDO REMOTO BASE F, F1, MXT	999999999	999999999	43,60
6	C-12900006	J-12900006	KR GUARNIZIONE TESTA SCAMBIATORE F	999999999	999999999	2,95
7	C-12900010	J-12900010	KR GUARNIZ. BASE SCAMBIATORE F1,M,K	999999999	999999999	2,95
8	C-12900068	J-12900068	KR GUARNIZ.SUPER.SCAMBIATORE F1,M,K	999999999	999999999	1,80
9	C-12900020	J-12900020	KR GUARNIZIONE SONDA PRESSOSTATO	999999999	999999999	1,70
10	C-12900022	J-12900022	KR GUARNIZIONE ASPIRATORE STAGNO	999999999	999999999	2,95
11	K-VNT034	J-VNT034	KR VENTILATORE F30, F60	999999999	999999999	146,00
12	E-12301029	J-12301029	KR TERMOSTATO LIMITE RANCO T.100^	999999999	999999999	14,00
13	E-12301020	J-12301020	KR TERMOSTATO DI SICUREZZA 100^C	999999999	999999999	6,75
14	E-12301017	J-12301017	KR TERMOSTATO FAN 90^ OFF-70^ ON	999999999	999999999	5,60
15	E-12303032	J-12303032	KR CENTRALINA BRAHMA CM 191	999999999	999999999	94,00
17	G-12200350	J-12200350	KR PRESSOSTATO ARIA 0,8 mbar	999999999	999999999	78,40
18	R-12460820	J-12460820	KR SONDA PRESSOSTATO SERIE M	999999999	999999999	11,55
19	K-CTB126	J-CTB126	KR BRUCIATORE M25	999999999	999999999	83,00
20	B-12860001	J-12860001	KR PRESA PRESSIONE 6MA	999999999	999999999	3,05
21	B-12860330	J-12860330	KR UGELLO D. 3,30	999999999	999999999	2,95
21	B-12861921	J-12861921	KR UGELLO D. 1,90/2,10	999999999	999999999	2,95
22	G-12200750	J-12200750	KR VALVOLA HONEYW. VR 4705	999999999	999999999	304,00
24	E-LTT003	J-LTT003	KR ELETTR.RILEVAZIONE C/CAVO L=1000	999999999	999999999	8,75
25	E-LTT013	J-LTT013	KR ELETTRODO ACCENSIONE GR1	999999999	999999999	14,50
26	K-SPR039	J-SPR039	KR ASPIRATORE M20, M30, M35	999999999	999999999	98,70
27	E-SLT008	J-SCD000A	KR SCHEDA F DA S2 A S30	999999999	999999999	90,80
28	L-12420340	N.D.	GABBIA PORTA TERMOSTATI	999999999	999999999	

SERIE GR1 II - GR1 II 30 - 2V

D-SPL724

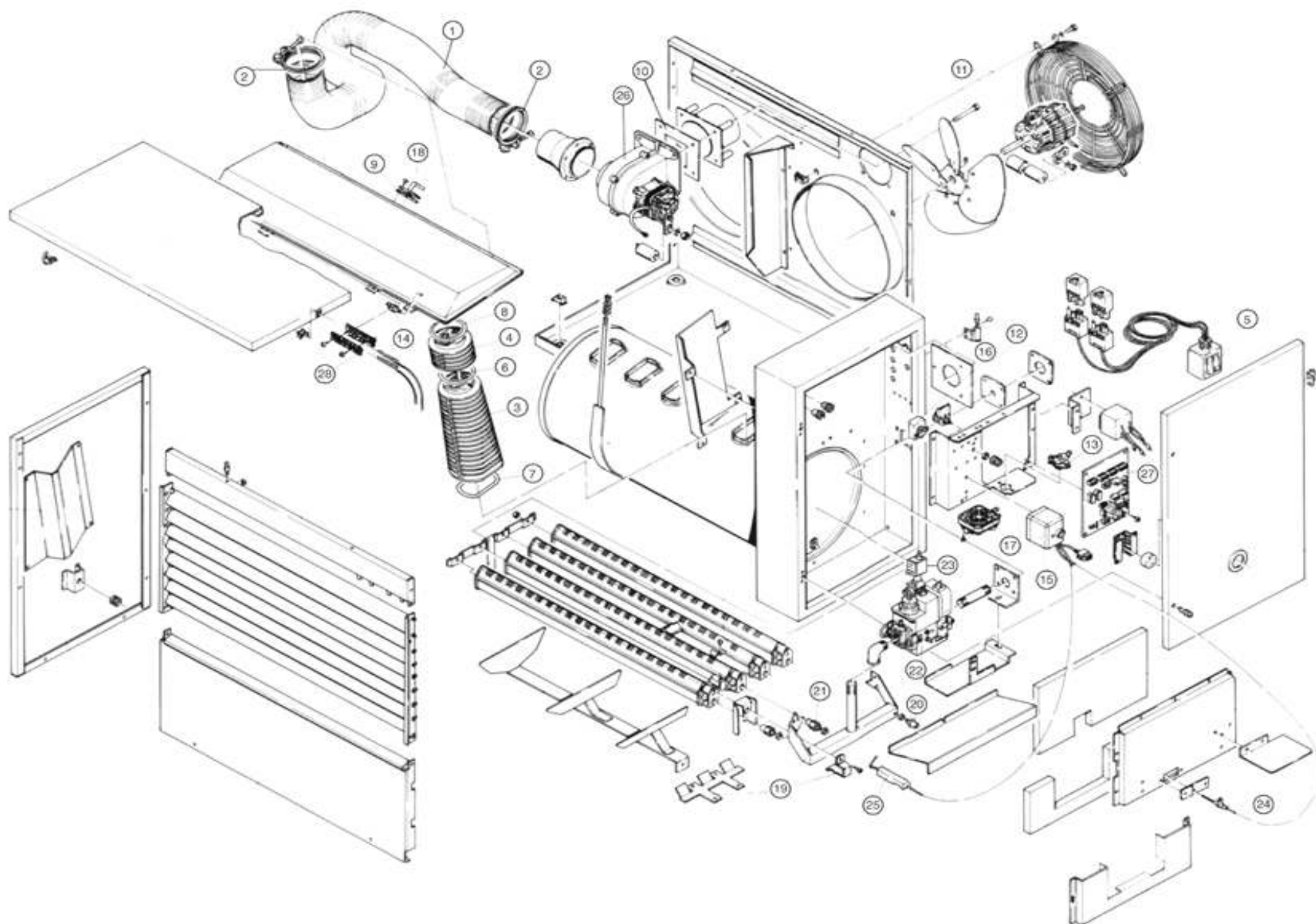


SERIE GR1 II - GR1 II 30 - 2V

POS	CODICE	RICAMBIO	DESCRIZIONE	MATRICOLA INIZIALE	MATRICOLA FINALE	LISTINO [€]
1	R-12478750	J-12478750	KR TUBO FUMI L. 1950 M50,M60,F60,F80	999999999	999999999	37,20
2	N-12913011	J-12913011	KR FASCETTA STRINGITUBO D.90 mm	999999999	999999999	6,75
2	N-12913011	J-12913011	KR FASCETTA STRINGITUBO D.90 mm	999999999	999999999	6,75
3	S-12470570	J-12470570	KR SCAMBIATORE CALORE LG.300 C/BASE	999999999	999999999	63,90
4	S-12411270	J-12411270	KR INSERTO PROLUNGA SCAMBIATORE GR	999999999	999999999	13,25
5	E-CDS004	J-CDS004	KR COMANDO REMOTO 2 VEL GR1 II,M	999999999	999999999	63,90
6	C-12900006	J-12900006	KR GUARNIZIONE TESTA SCAMBIATORE F	999999999	999999999	2,95
7	C-12900010	J-12900010	KR GUARNIZ. BASE SCAMBIATORE F1,M,K	999999999	999999999	2,95
8	C-12900068	J-12900068	KR GUARNIZ.SUPER.SCAMBIATORE F1,M,K	999999999	999999999	1,80
9	C-12900020	J-12900020	KR GUARNIZIONE SONDA PRESSOSTATO	999999999	999999999	1,70
10	C-12900022	J-12900022	KR GUARNIZIONE ASPIRATORE STAGNO	999999999	999999999	2,95
11	K-VNT039	J-VNT039	KR VENTILATORE M25-2V, M50-2V	999999999	999999999	160,40
12	E-12301029	J-12301029	KR TERMOSTATO LIMITE RANCO T.100^	999999999	999999999	14,00
13	E-12301020	J-12301020	KR TERMOSTATO DI SICUREZZA 100^C	999999999	999999999	6,75
14	E-12301017	J-12301017	KR TERMOSTATO FAN 90^ OFF-70^ ON	999999999	999999999	5,60
15	E-CNT003	J-CNT003A	KR CENTRALINA BRAHMA SM 152	999999999	999999999	108,90
16	E-12301014	J-12301014	KR TERMOST. BULBO REGOLABILE 15-90°	999999999	999999999	15,65
17	G-12200350	J-12200350	KR PRESSOSTATO ARIA 0,8 mbar	999999999	999999999	78,40
18	R-12460820	J-12460820	KR SONDA PRESSOSTATO SERIE M	999999999	999999999	11,55
19	K-CTB126	J-CTB126	KR BRUCIATORE M25	999999999	999999999	83,00
20	B-12860001	J-12860001	KR PRESA PRESSIONE 6MA	999999999	999999999	3,05
21	B-12860330	J-12860330	KR UGELLO D. 3,30	999999999	999999999	2,95
21	B-12861921	J-12861921	KR UGELLO D. 1,90/2,10	999999999	999999999	2,95
22	G-VLV003	J-VLV003	KR VALVOLA SIT 822 NOVA	999999999	999999999	125,50
23	E-12303049	J-12303049	KR MODULATORE INECO MOD.20003 MD	999999999	999999999	25,20
24	E-LTT003	J-LTT003	KR ELETTR.RILEVAZIONE C/CAVO L=1000	999999999	999999999	8,75
25	E-LTT013	J-LTT013	KR ELETTRODO ACCENSIONE GR1	999999999	999999999	14,50
26	K-SPR039	J-SPR039	KR ASPIRATORE M20, M30, M35	999999999	999999999	98,70
27	E-12302048	J-12302048	KR SCHEDA INECO S4 X GR1 II	999999999	999999999	107,50
28	L-12420340	N.D.	GABBIA PORTA TERMOSTATI	999999999	999999999	

SERIE GR1 II - GR1 II 40

D-SPL725

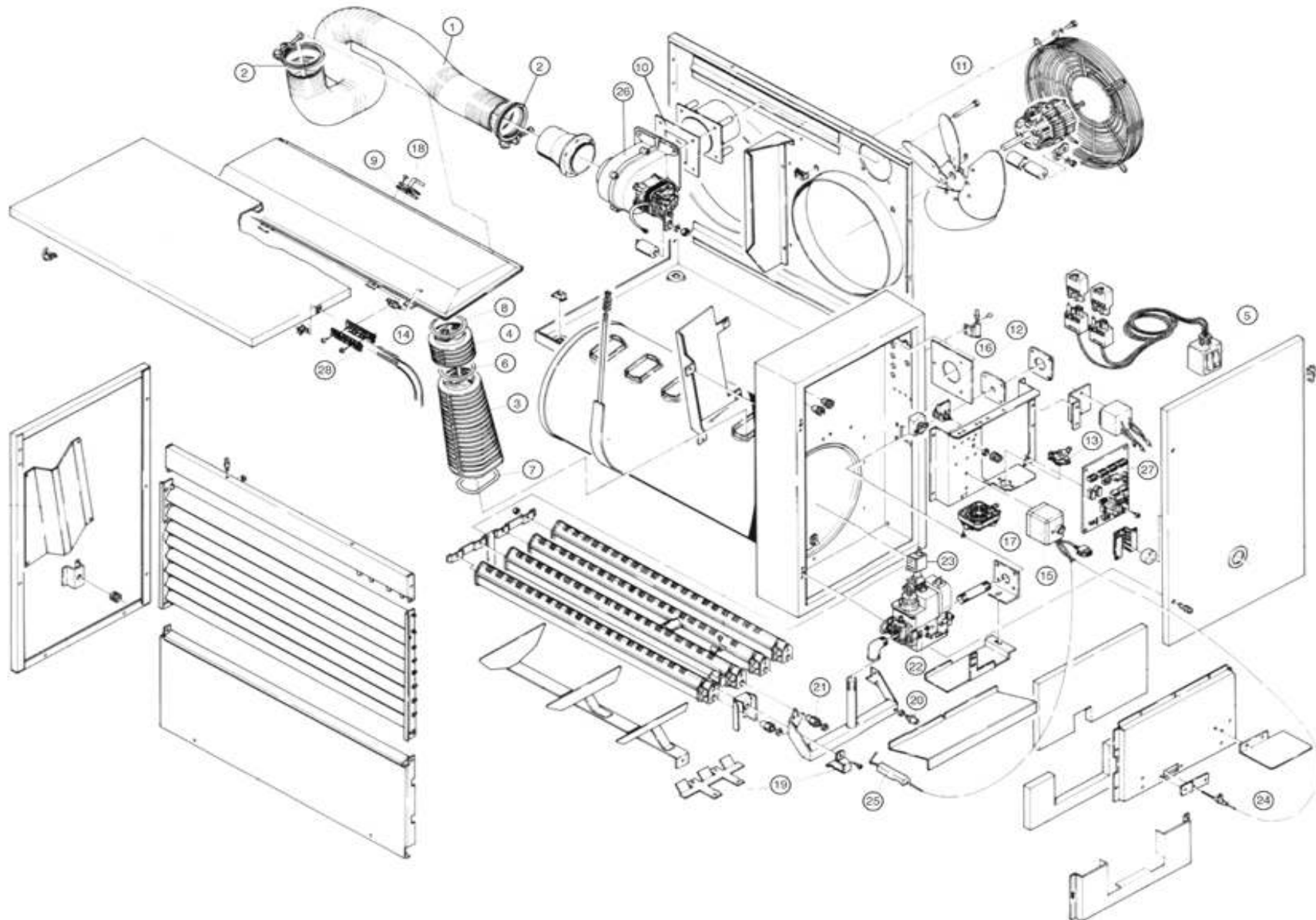


SERIE GR1 II - GR1 II 40

POS	CODICE	RICAMBIO	DESCRIZIONE	MATRICOLA INIZIALE	MATRICOLA FINALE	LISTINO [€]
1	R-12478750	J-12478750	KR TUBO FUMI L. 1950 M50,M60,F60,F80	999999999	999999999	37,20
2	N-12913011	J-12913011	KR FASCETTA STRINGITUBO D.90 mm	999999999	999999999	6,75
2	N-12913011	J-12913011	KR FASCETTA STRINGITUBO D.90 mm	999999999	999999999	6,75
3	S-12470570	J-12470570	KR SCAMBIATORE CALORE LG.300 C/BASE	999999999	999999999	63,90
4	S-12411270	J-12411270	KR INSERTO PROLUNGA SCAMBIATORE GR	999999999	999999999	13,25
5	E-CDS005	J-CDS005	KR COMANDO REMOTO BASE F, F1, MXT	999999999	999999999	43,60
6	C-12900006	J-12900006	KR GUARNIZIONE TESTA SCAMBIATORE F	999999999	999999999	2,95
7	C-12900010	J-12900010	KR GUARNIZ. BASE SCAMBIATORE F1,M,K	999999999	999999999	2,95
8	C-12900068	J-12900068	KR GUARNIZ.SUPER.SCAMBIATORE F1,M,K	999999999	999999999	1,80
9	C-12900020	J-12900020	KR GUARNIZIONE SONDA PRESSOSTATO	999999999	999999999	1,70
10	C-12900022	J-12900022	KR GUARNIZIONE ASPIRATORE STAGNO	999999999	999999999	2,95
11	K-VNT032	J-VNT032	KR VENTILATORE M60, F40, F80	999999999	999999999	145,50
12	E-12301029	J-12301029	KR TERMOSTATO LIMITE RANCO T.100^	999999999	999999999	14,00
13	E-12301020	J-12301020	KR TERMOSTATO DI SICUREZZA 100^C	999999999	999999999	6,75
14	E-12301017	J-12301017	KR TERMOSTATO FAN 90^ OFF-70^ ON	999999999	999999999	5,60
15	E-12303032	J-12303032	KR CENTRALINA BRAHMA CM 191	999999999	999999999	94,00
17	G-12200350	J-12200350	KR PRESSOSTATO ARIA 0,8 mbar	999999999	999999999	78,40
18	R-12460820	J-12460820	KR SONDA PRESSOSTATO SERIE M	999999999	999999999	11,55
19	K-CTB127	J-CTB127	KR BRUCIATORE M30	999999999	999999999	88,20
20	B-12860001	J-12860001	KR PRESA PRESSIONE 6MA	999999999	999999999	3,05
21	B-12860400	J-12860400	KR UGELLO D. 4,00	999999999	999999999	2,95
21	B-12862224	J-12862224	KR UGELLO D. 2,20/2,40	999999999	999999999	2,95
22	G-12200750	J-12200750	KR VALVOLA HONEYW. VR 4705	999999999	999999999	304,00
24	E-LTT003	J-LTT003	KR ELETTR.RILEVAZIONE C/CAVO L=1000	999999999	999999999	8,75
25	E-LTT013	J-LTT013	KR ELETTRODO ACCENSIONE GR1	999999999	999999999	14,50
26	K-SPR039	J-SPR039	KR ASPIRATORE M20, M30, M35	999999999	999999999	98,70
27	E-SLT008	J-SCD000A	KR SCHEDA F DA S2 A S30	999999999	999999999	90,80
28	L-12420340	N.D.	GABBIA PORTA TERMOSTATI	999999999	999999999	

SERIE GR1 II - GR1 II 40 - 2V

D-SPL726

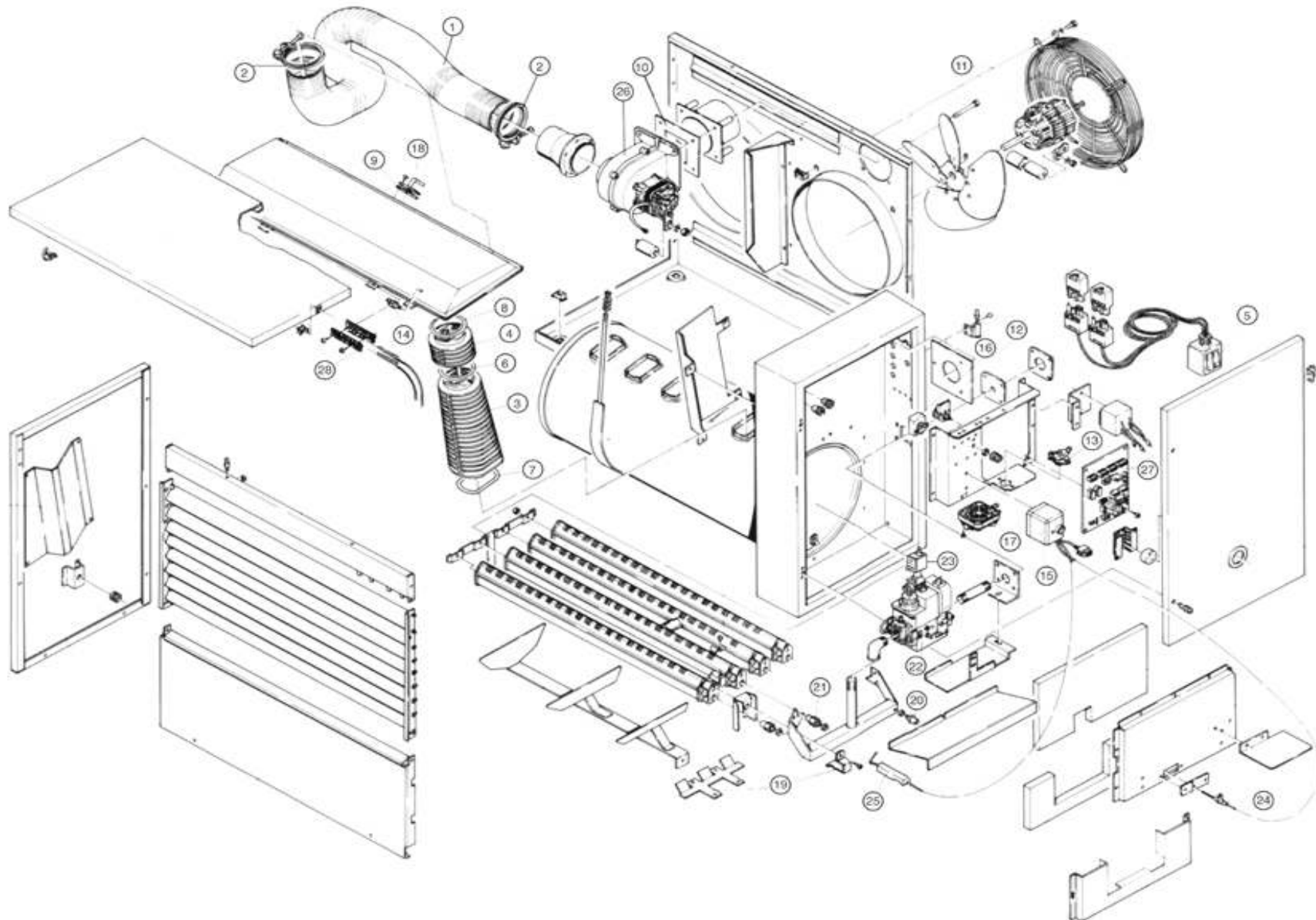


SERIE GR1 II - GR1 II 40 - 2V

POS	CODICE	RICAMBIO	DESCRIZIONE	MATRICOLA INIZIALE	MATRICOLA FINALE	LISTINO [€]
1	R-12478750	J-12478750	KR TUBO FUMI L. 1950 M50,M60,F60,F80	999999999	999999999	37,20
2	N-12913011	J-12913011	KR FASCETTA STRINGITUBO D.90 mm	999999999	999999999	6,75
2	N-12913011	J-12913011	KR FASCETTA STRINGITUBO D.90 mm	999999999	999999999	6,75
3	S-12470570	J-12470570	KR SCAMBIATORE CALORE LG.300 C/BASE	999999999	999999999	63,90
4	S-12411270	J-12411270	KR INSERTO PROLUNGA SCAMBIATORE GR	999999999	999999999	13,25
5	E-CDS004	J-CDS004	KR COMANDO REMOTO 2 VEL GR1 II,M	999999999	999999999	63,90
6	C-12900006	J-12900006	KR GUARNIZIONE TESTA SCAMBIATORE F	999999999	999999999	2,95
7	C-12900010	J-12900010	KR GUARNIZ. BASE SCAMBIATORE F1,M,K	999999999	999999999	2,95
8	C-12900068	J-12900068	KR GUARNIZ.SUPER.SCAMBIATORE F1,M,K	999999999	999999999	1,80
9	C-12900020	J-12900020	KR GUARNIZIONE SONDA PRESSOSTATO	999999999	999999999	1,70
10	C-12900022	J-12900022	KR GUARNIZIONE ASPIRATORE STAGNO	999999999	999999999	2,95
11	K-VNT072	J-VNT072	KR VENTILATORE M30-2V, M60-2V	999999999	999999999	238,00
12	E-12301029	J-12301029	KR TERMOSTATO LIMITE RANCO T.100^	999999999	999999999	14,00
13	E-12301020	J-12301020	KR TERMOSTATO DI SICUREZZA 100^C	999999999	999999999	6,75
14	E-12301017	J-12301017	KR TERMOSTATO FAN 90^ OFF-70^ ON	999999999	999999999	5,60
15	E-CNT003	J-CNT003A	KR CENTRALINA BRAHMA SM 152	999999999	999999999	108,90
16	E-12301014	J-12301014	KR TERMOST. BULBO REGOLABILE 15-90°	999999999	999999999	15,65
17	G-12200350	J-12200350	KR PRESSOSTATO ARIA 0,8 mbar	999999999	999999999	78,40
18	R-12460820	J-12460820	KR SONDA PRESSOSTATO SERIE M	999999999	999999999	11,55
19	K-CTB127	J-CTB127	KR BRUCIATORE M30	999999999	999999999	88,20
20	B-12860001	J-12860001	KR PRESA PRESSIONE 6MA	999999999	999999999	3,05
21	B-12860400	J-12860400	KR UGELLO D. 4,00	999999999	999999999	2,95
21	B-12862224	J-12862224	KR UGELLO D. 2,20/2,40	999999999	999999999	2,95
22	G-VLV003	J-VLV003	KR VALVOLA SIT 822 NOVA	999999999	999999999	125,50
23	E-12303049	J-12303049	KR MODULATORE INECO MOD.20003 MD	999999999	999999999	25,20
24	E-LTT003	J-LTT003	KR ELETTR.RILEVAZIONE C/CAVO L=1000	999999999	999999999	8,75
25	E-LTT013	J-LTT013	KR ELETTRODO ACCENSIONE GR1	999999999	999999999	14,50
26	K-SPR039	J-SPR039	KR ASPIRATORE M20, M30, M35	999999999	999999999	98,70
27	E-12302048	J-12302048	KR SCHEDA INECO S4 X GR1 II	999999999	999999999	107,50
28	L-12420340	N.D.	GABBIA PORTA TERMOSTATI	999999999	999999999	

SERIE GR1 II - GR1 II 60

D-SPL727

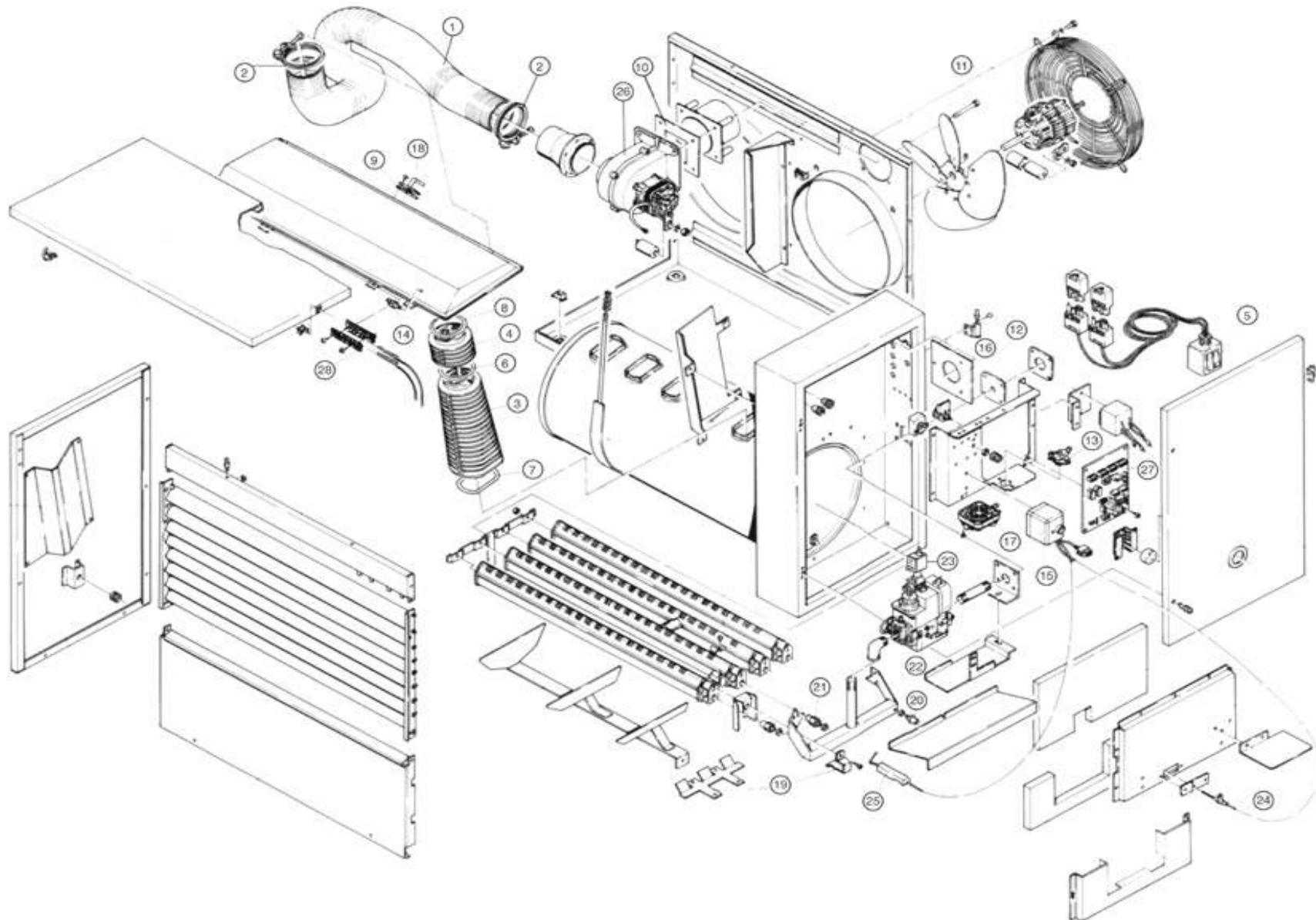


SERIE GR1 II - GR1 II 60

POS	CODICE	RICAMBIO	DESCRIZIONE	MATRICOLA INIZIALE	MATRICOLA FINALE	LISTINO [€]
1	R-12478750	J-12478750	KR TUBO FUMI L. 1950 M50,M60,F60,F80	999999999	999999999	37,20
2	N-12913011	J-12913011	KR FASCETTA STRINGITUBO D.90 mm	999999999	999999999	6,75
2	N-12913011	J-12913011	KR FASCETTA STRINGITUBO D.90 mm	999999999	999999999	6,75
3	S-12470570	J-12470570	KR SCAMBIATORE CALORE LG.300 C/BASE	999999999	999999999	63,90
4	S-12411270	J-12411270	KR INSERTO PROLUNGA SCAMBIATORE GR	999999999	999999999	13,25
5	E-CDS005	J-CDS005	KR COMANDO REMOTO BASE F, F1, MXT	999999999	999999999	43,60
6	C-12900006	J-12900006	KR GUARNIZIONE TESTA SCAMBIATORE F	999999999	999999999	2,95
7	C-12900010	J-12900010	KR GUARNIZ. BASE SCAMBIATORE F1,M,K	999999999	999999999	2,95
8	C-12900068	J-12900068	KR GUARNIZ.SUPER.SCAMBIATORE F1,M,K	999999999	999999999	1,80
9	C-12900020	J-12900020	KR GUARNIZIONE SONDA PRESSOSTATO	999999999	999999999	1,70
10	C-12900022	J-12900022	KR GUARNIZIONE ASPIRATORE STAGNO	999999999	999999999	2,95
11	K-VNT034	J-VNT034	KR VENTILATORE F30, F60	999999999	999999999	146,00
12	E-12301029	J-12301029	KR TERMOSTATO LIMITE RANCO T.100^	999999999	999999999	14,00
13	E-12301020	J-12301020	KR TERMOSTATO DI SICUREZZA 100^C	999999999	999999999	6,75
14	E-12301026	J-12301026	KR TERMOSTATO DI FAN 70/45^ ELMWOOD	999999999	999999999	5,60
15	E-CNT003	J-CNT003A	KR CENTRALINA BRAHMA SM 152	999999999	999999999	108,90
17	G-12200350	J-12200350	KR PRESSOSTATO ARIA 0,8 mbar	999999999	999999999	78,40
18	R-12460820	J-12460820	KR SONDA PRESSOSTATO SERIE M	999999999	999999999	11,55
19	K-CTB130	J-CTB130	KR BRUCIATORE M50	999999999	999999999	174,30
20	B-12860001	J-12860001	KR PRESA PRESSIONE 6MA	999999999	999999999	3,05
21	B-12860345	J-12860345	KR UGELLO D. 3,45	999999999	999999999	2,95
21	B-12861850	J-12861850	KR UGELLO D. 1,85/2,15	999999999	999999999	2,95
22	G-12200230	J-12200230	KR VALVOLA VR 4925	999999999	999999999	251,00
24	E-LTT003	J-LTT003	KR ELETTR.RILEVAZIONE C/CAVO L=1000	999999999	999999999	8,75
25	E-LTT013	J-LTT013	KR ELETTRODO ACCENSIONE GR1	999999999	999999999	14,50
26	K-SPR040	J-SPR040	KR ASPIRATORE M25, M40, M50	999999999	999999999	98,70
27	E-SLT008	J-SCD000A	KR SCHEDA F DA S2 A S30	999999999	999999999	90,80
28	L-12420340	N.D.	GABBIA PORTA TERMOSTATI	999999999	999999999	

SERIE GR1 II - GR1 II 60 - 2V

D-SPL728

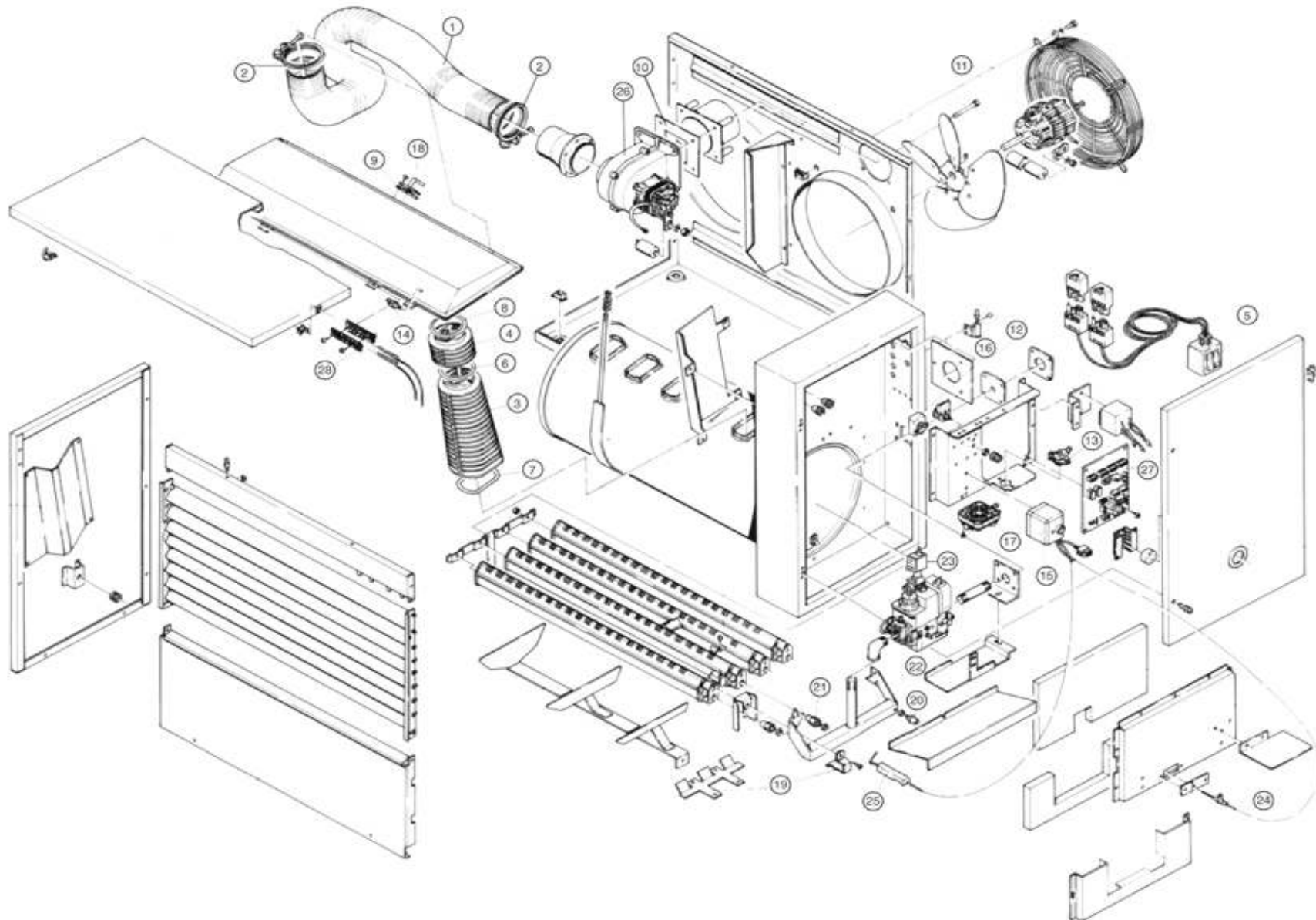


SERIE GR1 II - GR1 II 60 - 2V

POS	CODICE	RICAMBIO	DESCRIZIONE	MATRICOLA INIZIALE	MATRICOLA FINALE	LISTINO [€]
1	R-12478750	J-12478750	KR TUBO FUMI L.1950 M50,M60,F60,F80	999999999	999999999	37,20
2	N-12913011	J-12913011	KR FASCETTA STRINGITUBO D.90 mm	999999999	999999999	6,75
2	N-12913011	J-12913011	KR FASCETTA STRINGITUBO D.90 mm	999999999	999999999	6,75
3	S-12470570	J-12470570	KR SCAMBIATORE CALORE LG.300 C/BASE	999999999	999999999	63,90
4	S-12411270	J-12411270	KR INSERTO PROLUNGA SCAMBIATORE GR	999999999	999999999	13,25
5	E-CDS004	J-CDS004	KR COMANDO REMOTO 2 VEL GR1 II,M	999999999	999999999	63,90
6	C-12900006	J-12900006	KR GUARNIZIONE TESTA SCAMBIATORE F	999999999	999999999	2,95
7	C-12900010	J-12900010	KR GUARNIZ. BASE SCAMBIATORE F1,M,K	999999999	999999999	2,95
8	C-12900068	J-12900068	KR GUARNIZ.SUPER.SCAMBIATORE F1,M,K	999999999	999999999	1,80
9	C-12900020	J-12900020	KR GUARNIZIONE SONDA PRESSOSTATO	999999999	999999999	1,70
10	C-12900022	J-12900022	KR GUARNIZIONE ASPIRATORE STAGNO	999999999	999999999	2,95
11	K-VNT039	J-VNT039	KR VENTILATORE M25-2V, M50-2V	999999999	999999999	160,40
12	E-12301029	J-12301029	KR TERMOSTATO LIMITE RANCO T.100^	999999999	999999999	14,00
13	E-12301020	J-12301020	KR TERMOSTATO DI SICUREZZA 100^C	999999999	999999999	6,75
14	E-12301026	J-12301026	KR TERMOSTATO DI FAN 70/45^ ELMWOOD	999999999	999999999	5,60
15	E-CNT003	J-CNT003A	KR CENTRALINA BRAHMA SM 152	999999999	999999999	108,90
16	E-12301014	J-12301014	KR TERMOST. BULBO REGOLABILE 15-90°	999999999	999999999	15,65
17	G-12200350	J-12200350	KR PRESSOSTATO ARIA 0,8 mbar	999999999	999999999	78,40
18	R-12460820	J-12460820	KR SONDA PRESSOSTATO SERIE M	999999999	999999999	11,55
19	K-CTB130	J-CTB130	KR BRUCIATORE M50	999999999	999999999	174,30
20	B-12860001	J-12860001	KR PRESA PRESSIONE 6MA	999999999	999999999	3,05
21	B-12860345	J-12860345	KR UGELLO D. 3,45	999999999	999999999	2,95
21	B-12861850	J-12861850	KR UGELLO D. 1,85/2,15	999999999	999999999	2,95
22	G-VLV003	J-VLV003	KR VALVOLA SIT 822 NOVA	999999999	999999999	125,50
23	E-12303049	J-12303049	KR MODULATORE INECO MOD.20003 MD	999999999	999999999	25,20
24	E-LTT003	J-LTT003	KR ELETTR.RILEVAZIONE C/CAVO L=1000	999999999	999999999	8,75
25	E-LTT013	J-LTT013	KR ELETTRODO ACCENSIONE GR1	999999999	999999999	14,50
26	K-SPR040	J-SPR040	KR ASPIRATORE M25, M40, M50	999999999	999999999	98,70
27	E-12302048	J-12302048	KR SCHEDA INECO S4 X GR1 II	999999999	999999999	107,50
28	L-12420340	N.D.	GABBIA PORTA TERMOSTATI	999999999	999999999	

SERIE GR1 II - GR1 II 80

D-SPL729



SERIE GR1 II - GR1 II 80

POS	CODICE	RICAMBIO	DESCRIZIONE	MATRICOLA INIZIALE	MATRICOLA FINALE	LISTINO [€]
1	R-12478750	J-12478750	KR TUBO FUMI L. 1950 M50,M60,F60,F80	999999999	999999999	37,20
2	N-12913011	J-12913011	KR FASCETTA STRINGITUBO D.90 mm	999999999	999999999	6,75
2	N-12913011	J-12913011	KR FASCETTA STRINGITUBO D.90 mm	999999999	999999999	6,75
3	S-12470570	J-12470570	KR SCAMBIATORE CALORE LG.300 C/BASE	999999999	999999999	63,90
4	S-12411270	J-12411270	KR INSERTO PROLUNGA SCAMBIATORE GR	999999999	999999999	13,25
5	E-CDS005	J-CDS005	KR COMANDO REMOTO BASE F, F1, MXT	999999999	999999999	43,60
6	C-12900006	J-12900006	KR GUARNIZIONE TESTA SCAMBIATORE F	999999999	999999999	2,95
7	C-12900010	J-12900010	KR GUARNIZ. BASE SCAMBIATORE F1,M,K	999999999	999999999	2,95
8	C-12900068	J-12900068	KR GUARNIZ.SUPER.SCAMBIATORE F1,M,K	999999999	999999999	1,80
9	C-12900020	J-12900020	KR GUARNIZIONE SONDA PRESSOSTATO	999999999	999999999	1,70
10	C-12900022	J-12900022	KR GUARNIZIONE ASPIRATORE STAGNO	999999999	999999999	2,95
11	K-VNT032	J-VNT032	KR VENTILATORE M60, F40, F80	999999999	999999999	145,50
12	E-12301029	J-12301029	KR TERMOSTATO LIMITE RANCO T.100^	999999999	999999999	14,00
13	E-12301020	J-12301020	KR TERMOSTATO DI SICUREZZA 100^C	999999999	999999999	6,75
14	E-12301026	J-12301026	KR TERMOSTATO DI FAN 70/45^ ELMWOOD	999999999	999999999	5,60
15	E-CNT003	J-CNT003A	KR CENTRALINA BRAHMA SM 152	999999999	999999999	108,90
17	G-12200350	J-12200350	KR PRESSOSTATO ARIA 0,8 mbar	999999999	999999999	78,40
18	R-12460820	J-12460820	KR SONDA PRESSOSTATO SERIE M	999999999	999999999	11,55
19	K-CTB124	J-CTB124	KR BRUCIATORE M60	999999999	999999999	183,80
20	B-12860001	J-12860001	KR PRESA PRESSIONE 6MA	999999999	999999999	3,05
21	B-12860400	J-12860400	KR UGELLO D. 4,00	999999999	999999999	2,95
21	B-12862223	J-12862223	KR UGELLO D. 2,20/2,30	999999999	999999999	2,95
22	G-VLV003	J-VLV003	KR VALVOLA SIT 822 NOVA	999999999	999999999	125,50
23	E-12303049	J-12303049	KR MODULATORE INECO MOD.20003 MD	999999999	999999999	25,20
24	E-LTT003	J-LTT003	KR ELETTR.RILEVAZIONE C/CAVO L=1000	999999999	999999999	8,75
25	E-LTT013	J-LTT013	KR ELETTRODO ACCENSIONE GR1	999999999	999999999	14,50
26	K-SPR047	J-SPR047	KR ASPIRATORE F80, M60	999999999	999999999	106,10
27	E-SLT008	J-SCD000A	KR SCHEDA F DA S2 A S30	999999999	999999999	90,80
28	L-12420340	N.D.	GABBIA PORTA TERMOSTATI	999999999	999999999	