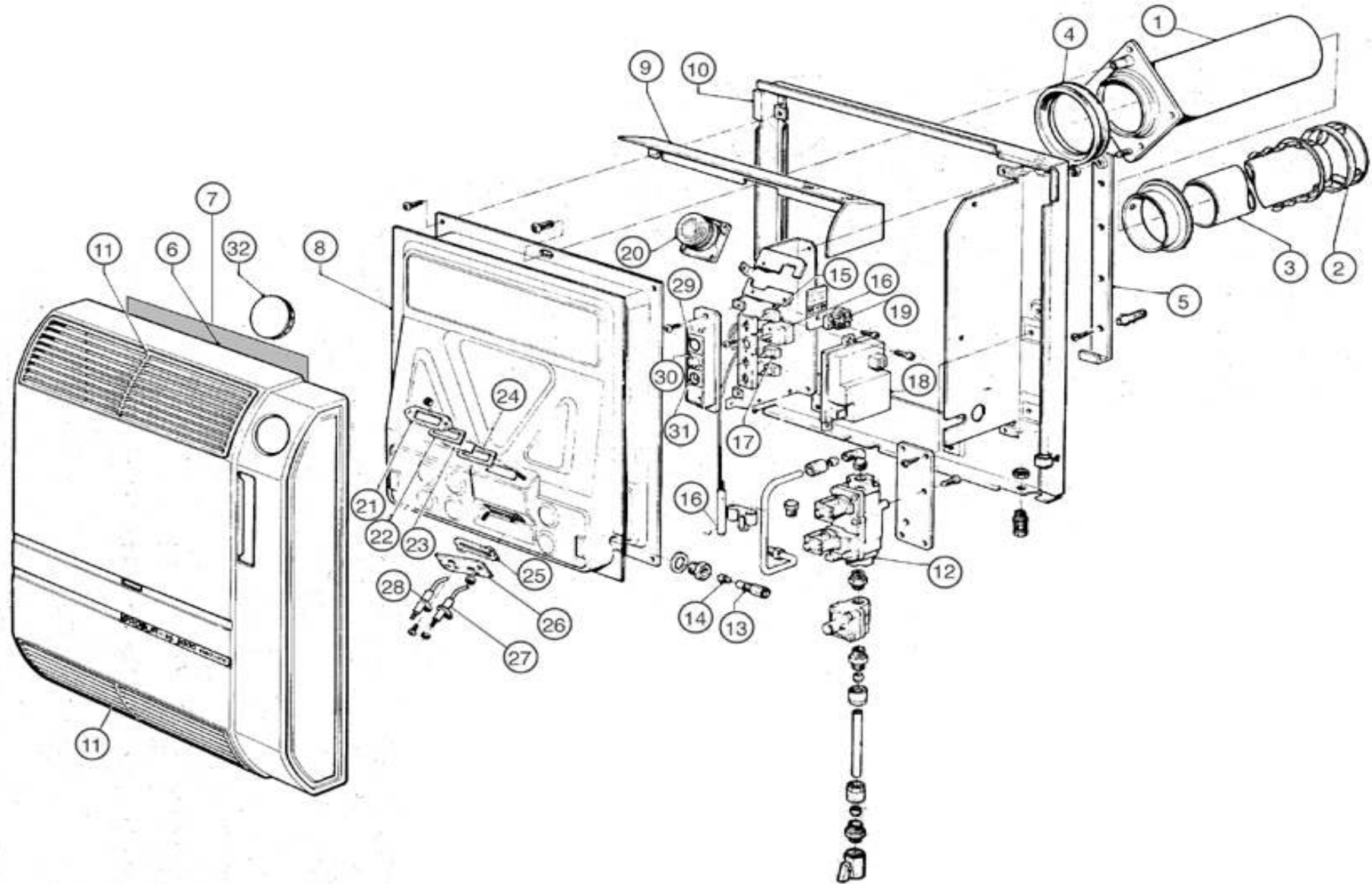


CODICE            **D-LSR054**  
REV.                **C**  
MOD.              **11 MCM SVI 144** AGGIORNAMENTO LISTINO  
DATA               **01/07/2011**

TERMOCONVETTORI

D-SPL759

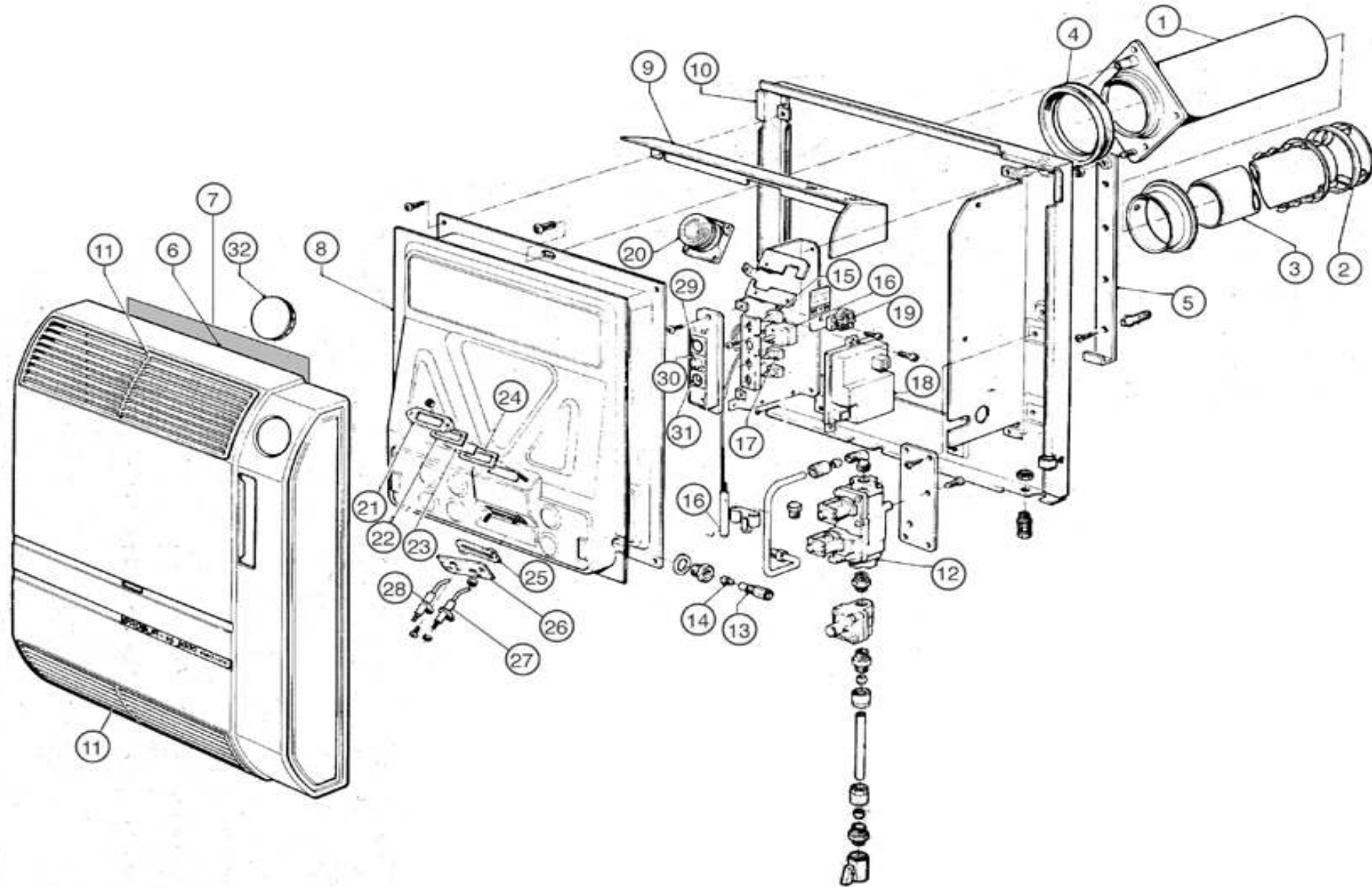


## TERMOCONVETTORI

POS	CODICE	RICAMBIO	DESCRIZIONE	MATRICOLA INIZIALE	MATRICOLA FINALE	LISTINO [€]
1	F-11316171	N.D.	TC TV 4000 MET ITA IMQ	999999999	999999999	

## TERMOCONVETTORI - ES 3000

D-SPL717

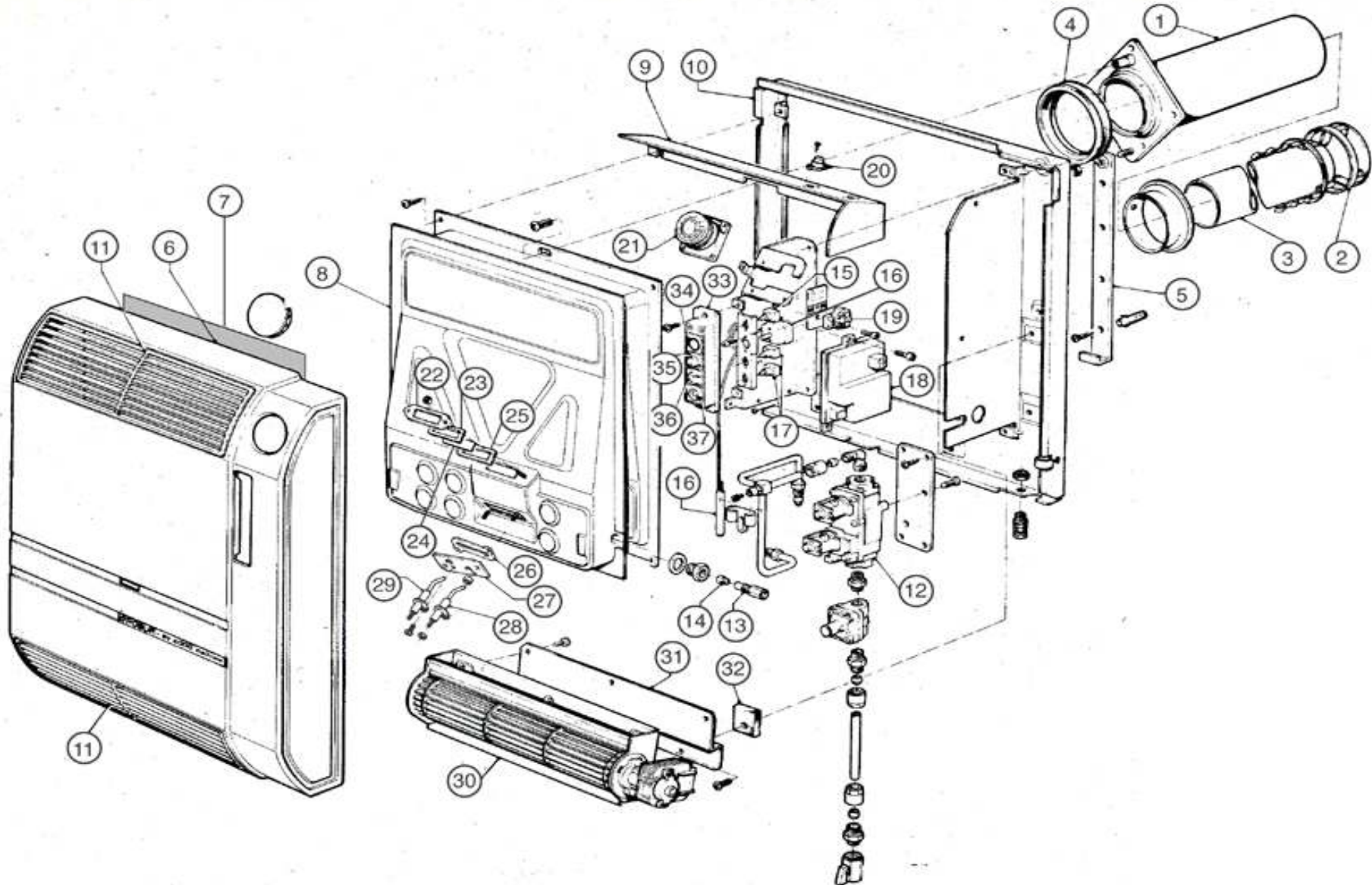


**TERMOCONVETTORI - ES 3000**

POS	CODICE	RICAMBIO	DESCRIZIONE	MATRICOLA INIZIALE	MATRICOLA FINALE	LISTINO [€]
1	R-12189810	N.D.	TUBO D.100X510 C/CART.+ROS.+DIAF.	999999999	999999999	
2	R-12426530	J-12426530	KR TERMINALE ANTIVENTO MS,TS2000	999999999	999999999	10,50
3	R-12176750	J-12176750	KR TUBO SCARICO L=60(70)x587 mm	999999999	999999999	15,55
4	C-12900060	J-12900060	KR GUARNIZIONE ROSSA TERMOCONVETTOR	999999999	999999999	9,90
5	L-12189490	N.D.	BANDELLA DI SUPPORTO PER TC/RC/VM	999999999	999999999	
6	K-MNT066	J-MNT017	KR MANTELLO SC4000,5000 CE GRIGIO	999999999	999999999	116,30
7	C-12900100	J-12900100	KR COIBENTI MANTELLO ES, EV, TS, TV	999999999	999999999	18,00
8	S-19800224	N.D.	ASS.CORPO SCALDANTE MARTIN	999999999	999999999	
9	L-12111740	N.D.	DEFLETTORE ARIA TIPO MARTIN	999999999	999999999	
10	P-12111709	N.D.	SUPP. CORPO SCALD. MARTIN VERNIC.	999999999	999999999	
11	P-12111769	N.D.	GRIGLIA DI PROTEZIONE NERA TC	999999999	999999999	
11	P-12111769	N.D.	GRIGLIA DI PROTEZIONE NERA TC	999999999	999999999	
12	G-12200810	J-12200810	KR VALVOLA SIT 830 C/TAPPO	999999999	999999999	103,50
13	B-12169910	J-12169910	KR PORTAUGELLO TM,RC,EV,TS	999999999	999999999	5,80
14	B-12169920	J-12169920	KR UGELLO D. 1,60x2,40	999999999	999999999	2,95
14	B-12860085	J-12860085	KR UGELLO D. 0,85X1,20	999999999	999999999	2,95
15	E-12301007	J-12301007	KR INTERRUTTORE BIPOLARE ACC/SPENTO	999999999	999999999	4,10
16	E-12301070	J-12301070	KR THERMOST. REGOLABILE BULBO 0-40^	999999999	999999999	19,05
16	E-12301070	J-12301070	KR THERMOST. REGOLABILE BULBO 0-40^	999999999	999999999	19,05
17	E-12302037	J-12302037	KR INTER.UNIPOLARE MANUALE-PROGRAM.	999999999	999999999	4,10
18	E-12303001	N.D.	DISPOSITIVO ELETTR.700 X DE/EV/ES	999999999	999999999	
18	E-12303032	J-CNT035	KR CENTR. BRAHMA IN SOST. CON INECO	999999999	999999999	132,30
19	E-12306002	J-12306002	KR MORSETTI MAMMOUTH 3 POLI 2,5 mm	999999999	999999999	2,45
20	E-12302063	N.D.	PROGR.DIG.GRAESSLIN MOD.FM/1DIGI20	999999999	999999999	
21	L-12101000	J-12101000	KR PORTAVETRINO TC,VM,CM,GR	999999999	999999999	2,45
22	C-12900004	J-12900004	KR GUARNIZIONE sp. 1 TECNOFREE 300	999999999	999999999	2,95
23	C-12100980	J-12100980	KR LAMELLE MICA 61X26 mm	999999999	999999999	6,45
24	C-12900005	J-12900005	KR GUARNIZIONE sp. 2 TECNOFREE 300	999999999	999999999	2,95
25	C-12900043	J-12900043	KR GUARNIZIONE PER PILOTA	999999999	999999999	2,45
26	L-12186450	J-12186450	KR PIASTRA PORTA CANDELETTE	999999999	999999999	6,30
27	E-12306073	J-12306073	KR ELETTRODO ACCENSIONE C/CAVO	999999999	999999999	4,75
28	E-12306074	J-12306074	KR ELETTRODO RILEVAZIONE C/CAVO	999999999	999999999	4,75
29	N-19800200	N.D.	TASTO ACCESO/SPENTO ED-GR1 E/T-CM	999999999	999999999	
30	N-19800207	J-19800207	KR MANOPOLA THERMOSTATO SERIGRAFATA	999999999	999999999	1,80
31	N-19800202	J-19800202	KR TASTO MANUALE-PROGRAMMATO TC	999999999	999999999	1,80
32	N-12906013	J-12906013	KR TAPPO CHIUSURA D.70 SC5001,8001	999999999	999999999	2,65

## TERMOCONVETTORI - EV 4000

D-SPL718



## TERMOCONVETTORI - EV 4000

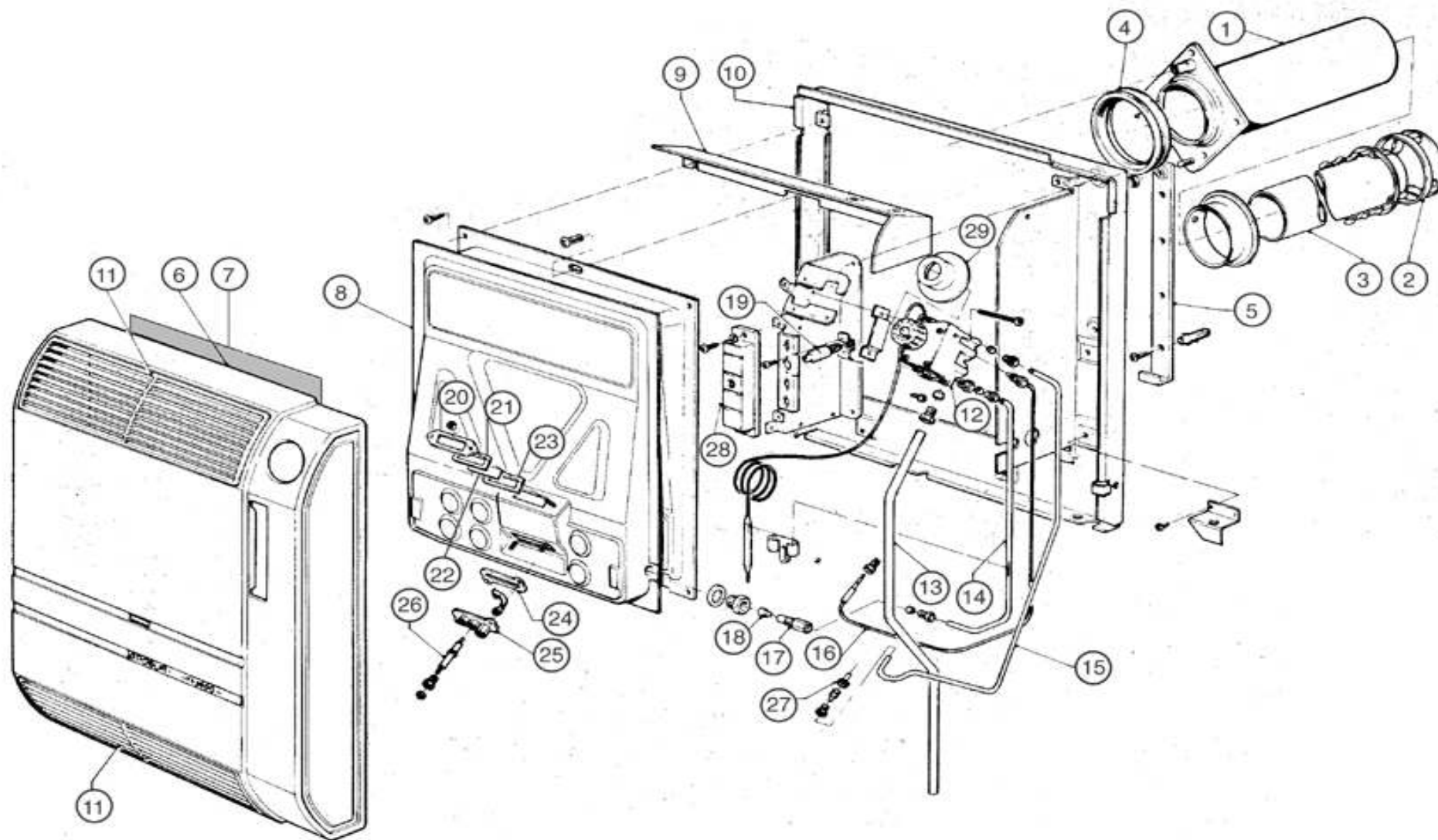
POS	CODICE	RICAMBIO	DESCRIZIONE	MATRICOLA INIZIALE	MATRICOLA FINALE	LISTINO [€]
1	R-12189780	J-12189780	KR TUBO D. 120X510 mm	999999999	999999999	51,50
2	R-12179040	J-12179040	KR TERMINALE D. 120/80 ALLUMINIO	999999999	999999999	10,20
3	R-12129400	N.D.	TUBO D. 80x640 C/LUNG. A.E.	999999999	999999999	
4	C-12900060	J-12900060	KR GUARNIZIONE ROSSA TERMOCONVETTOR	999999999	999999999	9,90
5	L-12189490	N.D.	BANDELLA DI SUPPORTO PER TC/RC/VM	999999999	999999999	
6	K-MNT066	J-MNT017	KR MANTELLO SC4000,5000 CE GRIGIO	999999999	999999999	116,30
7	C-12900100	J-12900100	KR COIBENTI MANTELLO ES, EV, TS, TV	999999999	999999999	18,00
8	S-19800224	N.D.	ASS.CORPO SCALDANTE MARTIN	999999999	999999999	
9	L-12111740	N.D.	DEFLETTORE ARIA TIPO MARTIN	999999999	999999999	
10	P-12111709	N.D.	SUPP. CORPO SCALD. MARTIN VERNIC.	999999999	999999999	
11	P-12111769	N.D.	GRIGLIA DI PROTEZIONE NERA TC	999999999	999999999	
11	P-12111769	N.D.	GRIGLIA DI PROTEZIONE NERA TC	999999999	999999999	
12	G-12200810	J-12200810	KR VALVOLA SIT 830 C/TAPPO	999999999	999999999	103,50
13	B-12169910	J-12169910	KR PORTAUGELLO TM,RC,EV,TS	999999999	999999999	5,80
14	B-12166940	J-12166940	KR UGELLO D. 1,85X2,60	999999999	999999999	2,95
14	B-12166960	J-12166960	KR UGELLO D. 1,10x1,20	999999999	999999999	2,95
15	E-12301007	J-12301007	KR INTERRUTTORE BIPOLARE ACC/SPENTO	999999999	999999999	4,10
16	E-12301070	J-12301070	KR THERMOST. REGOLABILE BULBO 0-40^	999999999	999999999	19,05
16	E-12301070	J-12301070	KR THERMOST. REGOLABILE BULBO 0-40^	999999999	999999999	19,05
17	E-12302037	J-12302037	KR INTER.UNIPOLARE MANUALE-PROGRAM.	999999999	999999999	4,10
18	E-12303001	N.D.	DISPOSITIVO ELETTR.700 X DE/EV/ES	999999999	999999999	
18	E-12303032	J-CNT035	KR CENTR. BRAHMA IN SOST. CON INECO	999999999	999999999	132,30
19	E-12306002	J-12306002	KR MORSETTI MAMMOUTH 3 POLI 2,5 mm	999999999	999999999	2,45
20	E-12301045	J-12301045	KR TERMOSTATO 100^ N.C.	999999999	999999999	6,95
21	E-12302063	N.D.	PROGR.DIG.GRAESSLIN MOD.FM/1DIGI20	999999999	999999999	
22	L-12101000	J-12101000	KR PORTAVETRINO TC,VM,CM,GR	999999999	999999999	2,45
23	C-12900004	J-12900004	KR GUARNIZIONE sp. 1 TECNOFREE 300	999999999	999999999	2,95
24	C-12100980	J-12100980	KR LAMELLE MICA 61X26 mm	999999999	999999999	6,45
25	C-12900005	J-12900005	KR GUARNIZIONE sp. 2 TECNOFREE 300	999999999	999999999	2,95
26	C-12900043	J-12900043	KR GUARNIZIONE PER PILOTA	999999999	999999999	2,45
27	L-12186450	J-12186450	KR PIASTRA PORTA CANDELETTE	999999999	999999999	6,30
28	E-12306073	J-12306073	KR ELETTRODO ACCENSIONE C/CAVO	999999999	999999999	4,75
29	E-12306074	J-12306074	KR ELETTRODO RILEVAZIONE C/CAVO	999999999	999999999	4,75
30	V-12300058	J-12300058	KR VENTILATORE TANG. ELETTROVAG.	999999999	999999999	49,40
31	L-12186620	J-12186620	KR PIASTRA SUPPORTO VENTILATORE	999999999	999999999	3,50
32	N-12900057	J-12900057	KR DISTANZ. GOMMA SUPP. VENTILATORE	999999999	999999999	2,95
33	P-PTS000	J-PTS000	KR PULSANTIERA 3 TASTI SCROMO	999999999	999999999	2,45
34	N-19800200	N.D.	TASTO ACCESO/SPENTO ED. GRIGIO	999999999	999999999	

35	N-19800207	J-19800207	KR MANOPOLA TERMOSTATO SERIGRAFATA	999999999	999999999	1,80
36	N-19800201	J-19800201	KR TASTO MINIMO-MASSIMO TERMOCONV.	999999999	999999999	1,80
37	N-19800202	J-19800202	KR TASTO MANUALE-PROGRAMMATO TC	999999999	999999999	1,80



## TERMOCONVETTORI - TS 3000

D-SPL719

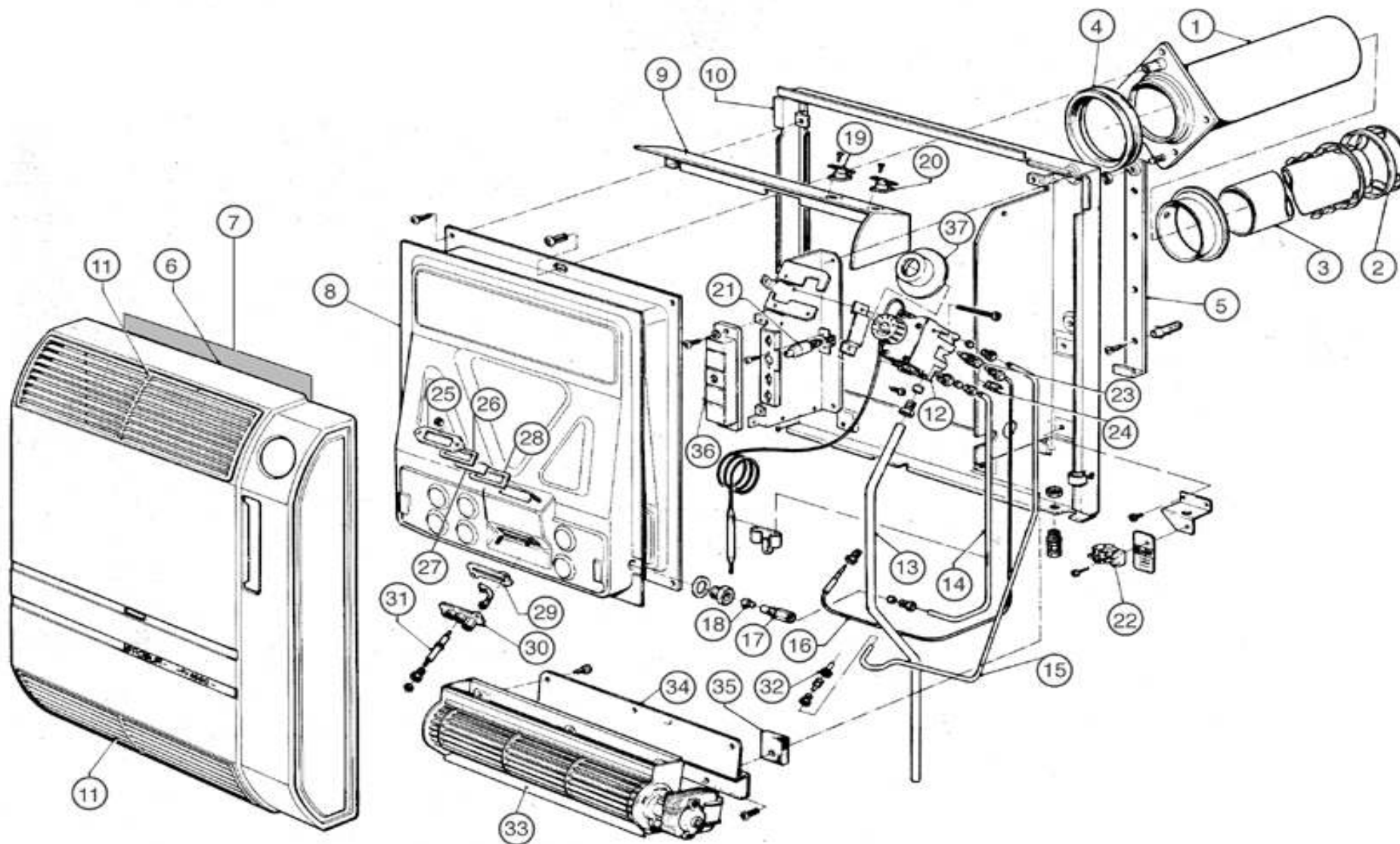


**TERMOCONVETTORI - TS 3000**

POS	CODICE	RICAMBIO	DESCRIZIONE	MATRICOLA INIZIALE	MATRICOLA FINALE	LISTINO [€]
1	R-12189810	N.D.	TUBO D.100X510 C/CART.+ROS.+DIAF.	999999999	999999999	
2	R-12426530	J-12426530	KR TERMINALE ANTIVENTO MS,TS2000	999999999	999999999	10,50
3	R-12176750	J-12176750	KR TUBO SCARICO L=60(70)x587 mm	999999999	999999999	15,55
4	C-12900060	J-12900060	KR GUARNIZIONE ROSSA TERMOCONVETTOR	999999999	999999999	9,90
5	L-12189490	N.D.	BANDELLA DI SUPPORTO PER TC/RC/VM	999999999	999999999	
6	K-MNT066	J-MNT017	KR MANTELLO SC4000,5000 CE GRIGIO	999999999	999999999	116,30
7	C-12900100	J-12900100	KR COIBENTI MANTELLO ES, EV, TS, TV	999999999	999999999	18,00
8	S-19800224	N.D.	ASS.CORPO SCALDANTE MARTIN	999999999	999999999	
9	L-12111740	N.D.	DEFLETTORE ARIA TIPO MARTIN	999999999	999999999	
10	P-12111709	N.D.	SUPP. CORPO SCALD. MARTIN VERNIC.	999999999	999999999	
11	P-12111769	N.D.	GRIGLIA DI PROTEZIONE NERA TC	999999999	999999999	
11	P-12111769	N.D.	GRIGLIA DI PROTEZIONE NERA TC	999999999	999999999	
12	G-12200610	J-VLV121	KR VALVOLA GAS EUROSIT C/REG. PRESS	999999999	999999999	86,10
13	R-12176710	N.D.	TUBO ALIMENTAZIONE GAS D.12 TV/TS	999999999	999999999	
14	R-12176720	N.D.	TUBETTO BRUCIATORE TV/TS ALL. D.6	999999999	999999999	
15	R-12176700	N.D.	TUBETTO PILOTA TV/TS BUNDY D. 6	999999999	999999999	
16	G-12306018	J-12306018	KIT TERMOCOPPIA X PILOTA SIT-TARGET	999999999	999999999	5,80
17	B-12169910	J-12169910	KR PORTAUGELLO TM,RC,EV,TS	999999999	999999999	5,80
18	B-12169920	J-12169920	KR UGELLO D. 1,60x2,40	999999999	999999999	2,95
18	B-12860085	J-12860085	KR UGELLO D. 0,85X1,20	999999999	999999999	2,95
19	E-12302005	J-12302005	KR ACCENSIONE PIEZOELETTRICA PER TC	999999999	999999999	5,90
20	L-12101000	J-12101000	KR PORTAVETRINO TC,VM,CM,GR	999999999	999999999	2,45
21	C-12900004	J-12900004	KR GUARNIZIONE sp. 1 TECNOFREE 300	999999999	999999999	2,95
22	C-12100980	J-12100980	KR LAMELLE MICA 61X26 mm	999999999	999999999	6,45
23	C-12900005	J-12900005	KR GUARNIZIONE sp. 2 TECNOFREE 300	999999999	999999999	2,95
24	C-12900043	J-12900043	KR GUARNIZIONE PER PILOTA	999999999	999999999	2,45
25	B-12101770	J-12101770	KR PILOTA TIPO "SIT-TARGET"	999999999	999999999	7,35
26	E-12306024	J-12306024	KR CANDELETTA PILOTA SIT-TARGET	999999999	999999999	5,80
27	B-12111800	J-12111800	KR UGELLO D. 0,27 MET "SIT-TARGET"	999999999	999999999	2,95
28	P-12906043	N.D.	PIASTRINA SCHERMO TV - TS	999999999	999999999	
29	N-12906046	N.D.	COPRIMANOPOLA PER VALVOLA SIT	999999999	999999999	

## TERMOCONVETTORI - TV 4000

D-SPL720



## TERMOCONVETTORI - TV 4000

POS	CODICE	RICAMBIO	DESCRIZIONE	MATRICOLA INIZIALE	MATRICOLA FINALE	LISTINO [€]
1	R-12189780	J-12189780	KR TUBO D. 120X510 mm	999999999	999999999	51,50
2	R-12179040	J-12179040	KR TERMINALE D. 120/80 ALLUMINIO	999999999	999999999	10,20
3	R-12129400	N.D.	KR TUBO D. 80x640 C/LUNG. A.E.	999999999	999999999	
4	C-12900060	J-12900060	KR GUARNIZIONE ROSSA TERMOCONVETTOR	999999999	999999999	9,90
5	L-12189490	N.D.	BANDELLA DI SUPPORTO PER TC/RC/VM	999999999	999999999	
6	K-MNT066	J-MNT017	KR MANTELLO SC4000,5000 CE GRIGIO	999999999	999999999	116,30
7	C-12900100	J-12900100	KR COIBENTI MANTELLO ES, EV, TS, TV	999999999	999999999	18,00
8	S-19800224	N.D.	ASS.CORPO SCALDANTE MARTIN	999999999	999999999	
9	L-12111740	N.D.	DEFLETTORE ARIA TIPO MARTIN	999999999	999999999	
10	P-12111709	N.D.	SUPP. CORPO SCALD. MARTIN VERNIC.	999999999	999999999	
11	P-12111769	N.D.	GRIGLIA DI PROTEZIONE NERA TC	999999999	999999999	
11	P-12111769	N.D.	GRIGLIA DI PROTEZIONE NERA TC	999999999	999999999	
12	G-12200610	J-VLV121	KR VALVOLA GAS EUROSIT C/REG. PRESS	999999999	999999999	86,10
13	R-12176710	N.D.	TUBO ALIMENTAZIONE GAS D.12 TV/TS	999999999	999999999	
14	R-12176720	N.D.	TUBETTO BRUCIATORE TV/TS ALL. D.6	999999999	999999999	
15	R-12176700	N.D.	TUBETTO PILOTA TV/TS BUNDY D. 6	999999999	999999999	
16	G-12306018	J-12306018	KIT TERMOCOPPIA X PILOTA SIT-TARGET	999999999	999999999	5,80
17	B-12169910	J-12169910	KR PORTAUGELLO TM,RC,EV,TS	999999999	999999999	5,80
18	B-12166940	J-12166940	KR UGELLO D. 1,85X2,60	999999999	999999999	2,95
19	E-12301018	J-12301018	KR TERMOSTATO DI FAN 40° N.A.	999999999	999999999	5,60
20	E-12301046	J-12301046	KR TERMOSTATO 120^ CONTATTI IN ORO	999999999	999999999	6,95
21	E-12302005	J-12302005	KR ACCENSIONE PIEZOELETTRICA PER TC	999999999	999999999	5,90
22	E-12306002	J-12306002	KR MORSETTI MAMMOUTH 3 POLI 2,5 mm	999999999	999999999	2,45
23	G-12301041	N.D.	RACCORDO INTERNO X GR GERMANIA	999999999	999999999	
24	G-12301042	N.D.	BOCCOLA ISOLANTE 'SIT' X CIRC. SPEC	999999999	999999999	
25	L-12101000	J-12101000	KR PORTAVETRINO TC,VM,CM,GR	999999999	999999999	2,45
26	C-12900004	J-12900004	KR GUARNIZIONE sp. 1 TECNOFREE 300	999999999	999999999	2,95
27	C-12100980	J-12100980	KR LAMELLE MICA 61X26 mm	999999999	999999999	6,45
28	C-12900005	J-12900005	KR GUARNIZIONE sp. 2 TECNOFREE 300	999999999	999999999	2,95
29	C-12900043	J-12900043	KR GUARNIZIONE PER PILOTA	999999999	999999999	2,45
30	B-12101770	J-12101770	KR PILOTA TIPO "SIT-TARGET"	999999999	999999999	7,35
31	E-12306024	J-12306024	KR CANDELETTA PILOTA SIT-TARGET	999999999	999999999	5,80
32	B-12111800	J-12111800	KR UGELLO D. 0,27 MET "SIT-TARGET"	999999999	999999999	2,95
33	V-12300058	J-12300058	KR VENTILATORE TANG. ELETTRIVAG.	999999999	999999999	49,40
34	L-12186620	J-12186620	KR PIASTRA SUPPORTO VENTILATORE	999999999	999999999	3,50
35	N-12900057	J-12900057	KR DISTANZ. GOMMA SUPP. VENTILATORE	999999999	999999999	2,95
36	P-12906043	N.D.	PIASTRINA SCHERMO TV - TS	999999999	999999999	
37	N-12906046	N.D.	COPRIMANOPOLA PER VALVOLA SIT	999999999	999999999	